



Description

The magnetostrictive tank-gauging (MTG) probe utilizes magnetostrictive technology to provide users with the same level of reliability, durability and cost-effectiveness they expect with all OMNTEC products. The MTG probe used with the OEL8000II monitors product levels, water levels and temperature in both underground and aboveground tank applications.

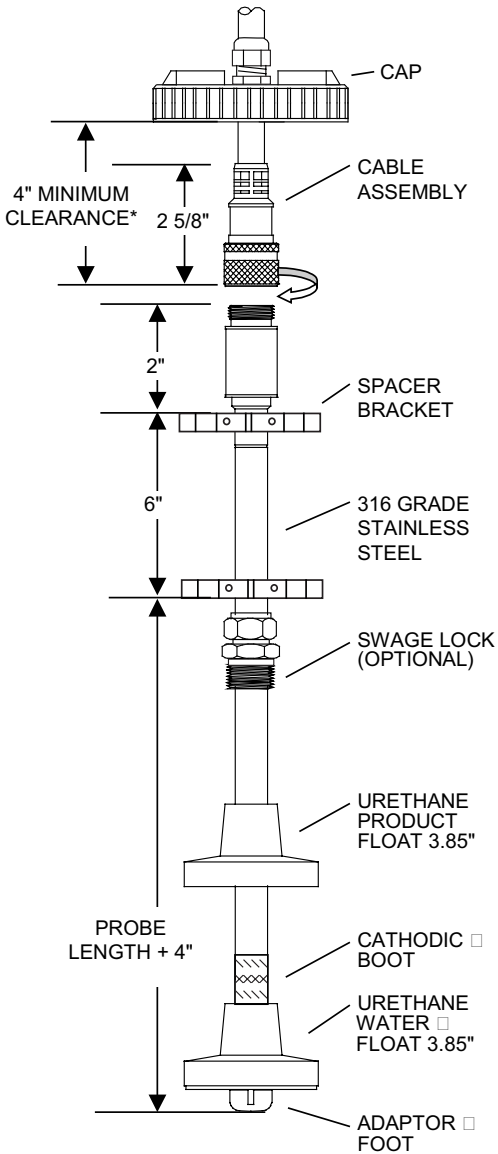
The MTG probe monitors the following conditions: high-product level, low-product level and high-water level. To provide the greatest flexibility of use, the probe's shaft is stainless steel and the floats are available in a variety of materials and sizes. Other major benefits of OMNTEC's MTG probe is that it comes in a number of lengths and in a flexible-shaft option. The number in the probe part number indicates the shaft length and corresponds to tank diameter.

The MTG probe is ruggedly constructed to provide reliable and cost-effective performance.

Features

- Patented reflection technique for reliability
- Durable tube-in-tube construction
- High signal-to-noise ratio
- Fast, accurate update
- Float options
- Custom lengths
- Intrinsically safe
- Cost-effective
- Flexible shaft (optional)
- UL-listed, CUL-listed, CE-listed

MTG Probe



Specifications											
Enclosure (probe):	NEMA 4										
Input Power:	28 VDC +/-10%										
Probe Length:	Up to 24 feet <i>Consult factory for lengths over 24 feet.</i>										
Accuracy:	0.010 inches inventory mode 0.001 inches leak-detection mode										
Linearity:	+/- 0.01% of full scale or +/- 0.010 inches, whichever is greater										
Repeatability:	+/- 0.001% of full scale or +/- 0.00025 inches, whichever is greater										
Temperature Measurement:	6 temperature-sensing devices										
Temperature Accuracy, Absolute:	+/- 2° F										
Temperature Measurement Resolution:	+/- 0.01° F										
Temperature Sensing Range:	-40 to 150° F										
Operating Temperature Range:	-40 to 160° F										
Probe Output:	Digital over 2 wires										
Distance to Monitor:	Probe cable must be EC-2 (Belden #8761) up to 1,000 feet. <i>Consult factory for lengths over 1,000 feet.</i>										
Pressure Rating:	Up to 500 psi (float-dependent)										
Floats:	Specs based on 4-inch standard										
Compatible Controllers:	OEL8000II										
MTG includes:	4-inch urethane float kit Cap Splice kit Cable assembly										
Accessories:	<table border="0"> <tr> <td>SL-34</td> <td>Swage lock (probe-head isolation for chemical applications)</td> </tr> <tr> <td>SSF-4</td> <td>3.85-inch stainless-steel float kit</td> </tr> <tr> <td>SSF-2</td> <td>1.83-inch stainless-steel float kit</td> </tr> <tr> <td>UF-4</td> <td>3.85-inch urethane float kit</td> </tr> <tr> <td>UF-3</td> <td>2.85-inch urethane float kit</td> </tr> </table>	SL-34	Swage lock (probe-head isolation for chemical applications)	SSF-4	3.85-inch stainless-steel float kit	SSF-2	1.83-inch stainless-steel float kit	UF-4	3.85-inch urethane float kit	UF-3	2.85-inch urethane float kit
SL-34	Swage lock (probe-head isolation for chemical applications)										
SSF-4	3.85-inch stainless-steel float kit										
SSF-2	1.83-inch stainless-steel float kit										
UF-4	3.85-inch urethane float kit										
UF-3	2.85-inch urethane float kit										
Approvals:	UL-listed, CUL-listed, CE-listed										

Note: Current published specifications are subject to change without notification. Verify specifications with manufacturer.

For technical information:



OMNTEC Mfg., Inc.
 1993 Pond Road
 Ronkonkoma, New York 11779
 Phone: 631-981-2001
 Fax: 631-981-2007
 Email: omntec@omntec.com
 Web Site: www.omntec.com