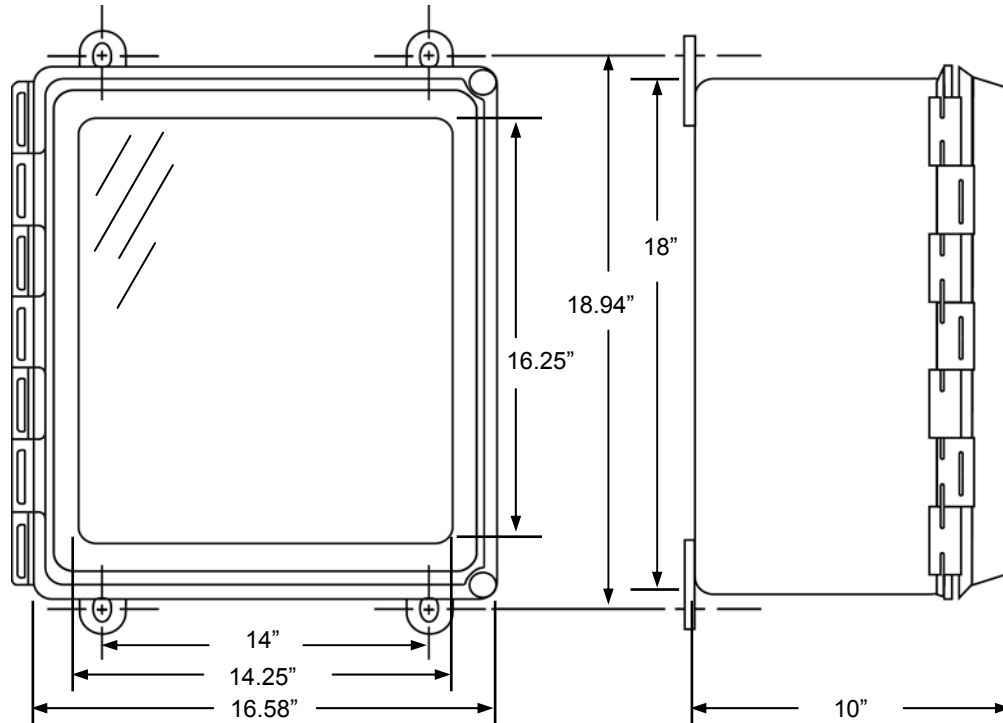


Fiberglass Hinged Cover Type 4X Enclosures for OEL8000II**Specifications****Construction**

- Molded fiberglass polyester has outstanding chemical and temperature resistance and exhibits excellent weatherability and physical properties
- Seamless foam-in-place gasket assures water tight and dust tight seal
- Polyester mounting feet and stainless steel attachment screws are provided with each enclosure
- Scratch-resistant GE LEXAN MARGARD windows are permanently bonded in place
- Molded-in-place threaded brass inserts and plated steel screws are provided for mounting optional panels and terminal kits
- Screw cover enclosures have removable hinged cover attached to body with monel hinge pin
- Cover is secured with captivated monel cover screws

Industry Standards

- NEMA/EEMAC Type 4, Type 4X, Type 12, and Type 13
- UL 508 Type 4, Type 4X, Type 12, and Type 13
- Enclosure flammability rating UL94-5V
- Window flammability rating UL94V-0
- CSA Type 4 and Type 12
- IEC 529, IP66