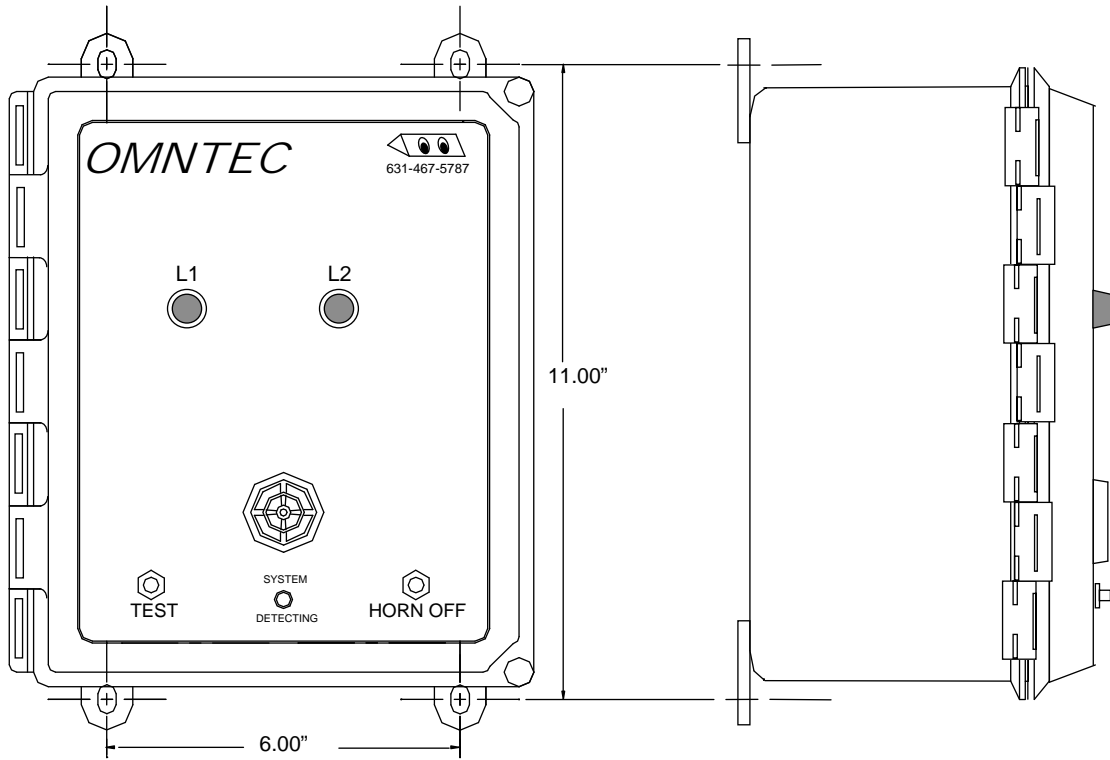


**SPECIFICATIONS**



**POWER INPUT**

85-125 VAC, 47-440 Hz  
16 Watts maximum

**POWER TO SENSORS**

2 VDC @ 13 ma

**RELAY OUTPUT**

SPST normally open dry contacts 1.25 AMPS, 120 AC/DC switches when an alarm condition occurs

**WEIGHT      DIMENSIONS**

6 LBS.      (W) 9" x (H) 10.5"

**SENSOR CABLE**

Shielded 22 AWG UL-E118830 CM  
Maximum length 2000 feet

**ENCLOSURE      OPERATING TEMPERATURE**

NEMA 4X      -40° to 140° F

**AUDIO/VISUAL CONSOLE**

**AUDIBLE ALARM** - 95 dB pulsing horn with 30 SECOND timeout

**RED LIGHT** -Indicates liquid alarm for LF-series float sensor

**TEST BUTTON**- When pressed will test system electronics

**GREEN LIGHT**- indicates the power is on  
**HORN OFF BUTTON** - Silences the audible alarm when pressed

**SENSORS**

LF-1 SINGLE FLOAT LIQUID LEVEL SENSOR, NORMALLY CLOSED

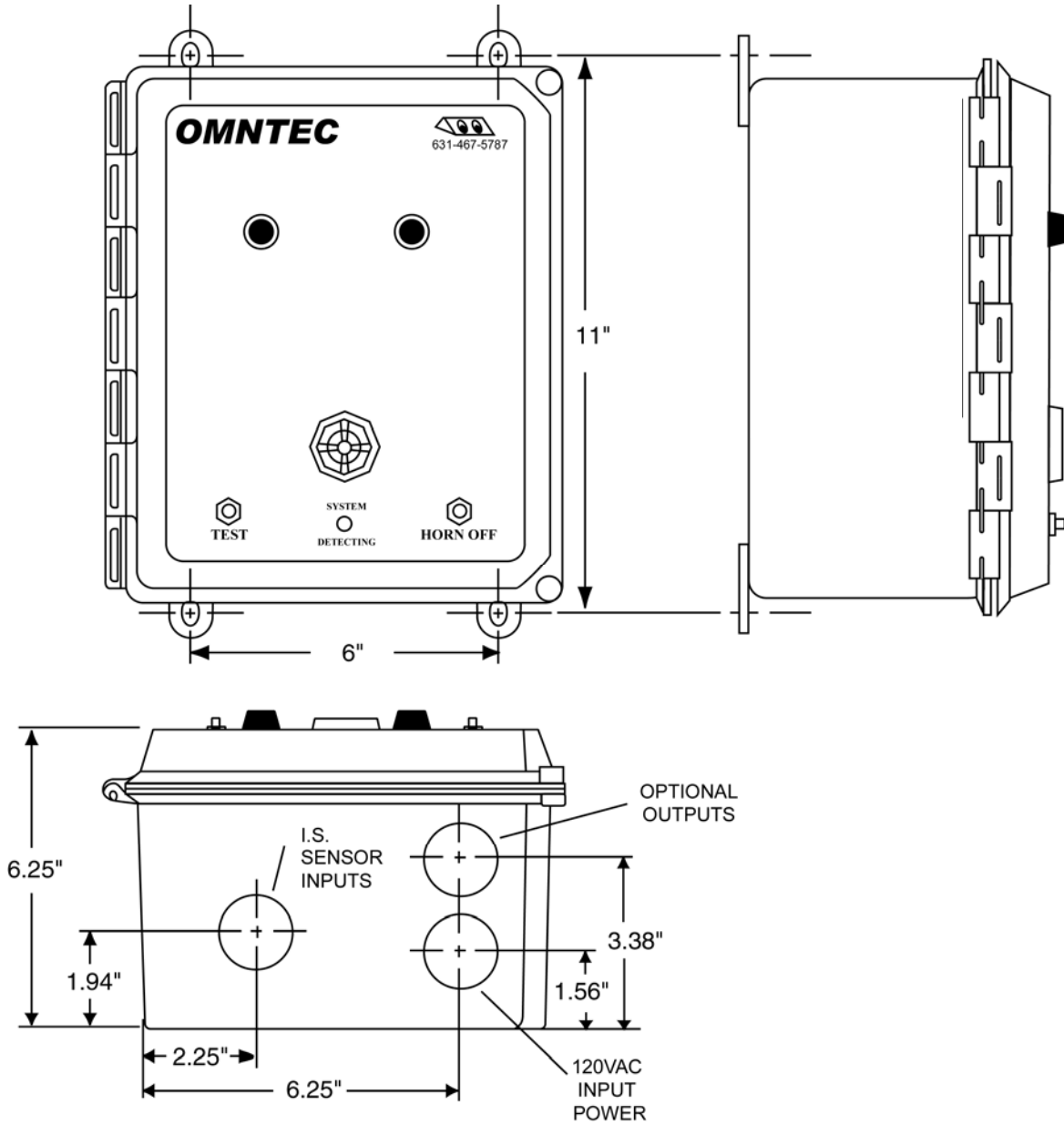
**ACCESSORIES**

RA-1 audio/visual remote annunciator AND RLY-RA2

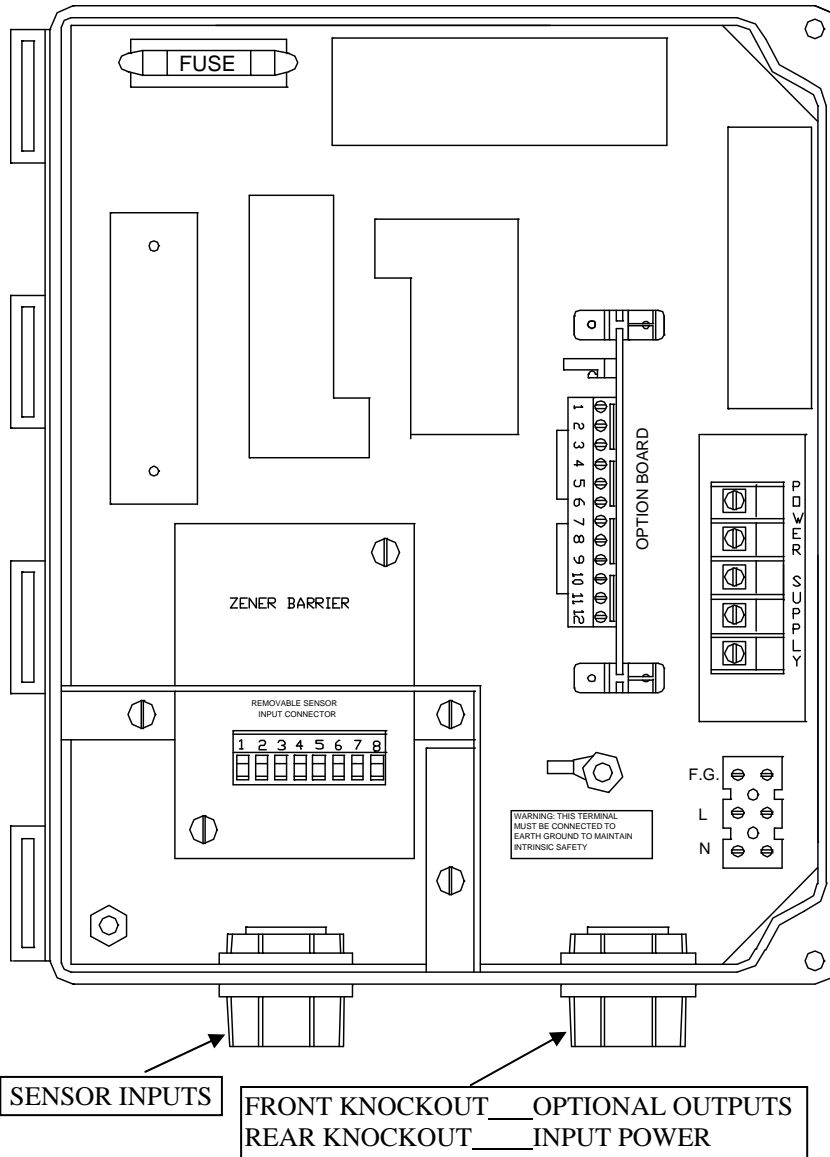
**LABELS**

Provided with controller

Dimensions for mounting and knockouts



# LU2-LF CONTROLLER CONNECTION DIAGRAM



## COLOR CODE

### CABLES FROM SENSORS TO REMOVABLE SENSOR INPUT CONNECTORS

1	UNUSED	SENSOR #1
2	RED	
3	UNUSED	SENSOR #2
4	RED	
5	UNUSED	
6	UNUSED	
7	BLACK	FROM SENSOR #1 & #2
8	SHIELD DRAIN	FROM SENSOR #1 & #2

### WIRES TO OPTION BOARD

#### WIRES FROM RA-1 AND RLY-RA2

1	GREEN	-HORN
2	RED	+HORN
3	BLACK	GROUND
4	WHITE	SENSOR #1
5	ORANGE	SENSOR #2
6	UNUSED	

#### WIRES FROM RELAY OUTPUTS

7	UNUSED	
8	UNUSED	
9	COMMON	SENSOR #2
10	NORAMLLY OPEN	
11	COMMON	SENSOR #1
12	NORMALLY OPEN	

## 120VAC

### WIRES TO POWER SUPPLY

F.G.	FIELD GROUND
L	LINE
N	NEUTRAL

NOTE: To maintain proper shielding, BLACK sensor wires and SHIELD DRAINS should **not** be connected together at sensors.

## Liquid Level Float Sensors

- Stainless Steel or Brass Mountings
- 1 to 6 Actuation Levels
- Lengths to over 11 feet
- U.L. Recognized, CSA Listed

LF series float sensors have multiple options including material of construction, mountings and float sizes. This allows for the LF sensor to be extremely versatile in a wide range of applications such as water, oils, chemicals and corrosive liquid.

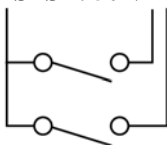
LF-\* switches are U.L. Approved for Class I, Division 2, Groups A, B, C, D hazardous locations. FM Approved explosion proof junction box must be installed for Class I, Division I, Group D hazardous locations.



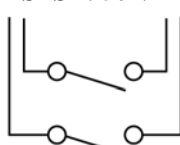
Specifications		
	BUNA N	Stainless Steel
Operating Temperature	Water: to 180 F Oil: -40 F to +230 F	40 F to +300 F
Stem & Mounting Material	Brass	316 Stainless Steel
Max Length (Lo)	120" (305 cm)	
Float Stops*	Beryllium Copper	316 Stainless Steel
Compatible Controllers	Consult factory	
Approvals	U.L. Recognized, CSA Listed	

*Specifications subject to change without notice, verify with manufacturer.*

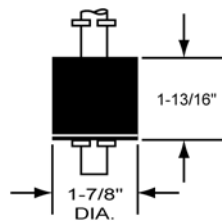
**Group 1**  
Switch (N.O. or N.C.):  
SPST: 50 VA



**Group 2**  
Switch (N.O. or N.C.):  
SPST: 50 VA

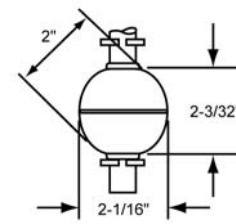


- For clarity, only two actuation levels are shown in each group diagram.
- Standard setup is Group 2 unless otherwise specified.



**BUNA N Float**

Consult factory for materials other than stainless steel and BUNA N.



**Stainless Steel Float**

Switch actuation levels are determined following the guidelines below:  
 All units 72" or less overall unit length with Stainless Steel or Buna N floats.

**A** = 1-1/2" (38.1mm) minimum distance to highest level (2" (50.8mm), Type 5 only)

**B** = 2" (50.8mm) minimum distance from end of unit to lowest level

**C** = 3" (76.2mm) minimum distance between levels

**D** = 1/4" (6.3mm) minimum distance between actuation levels (Note: One float for two levels can be used only when low level is N.C. dry and high level is N.O. dry)

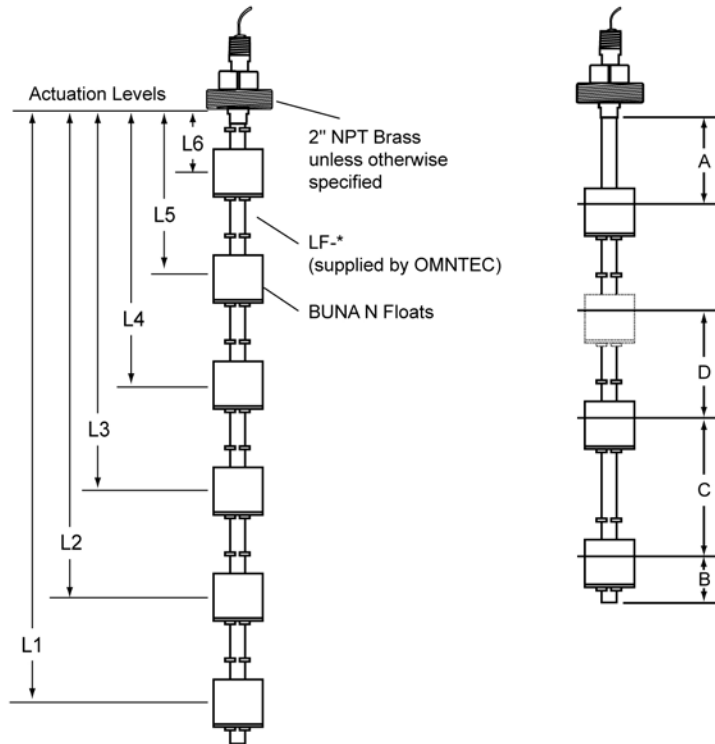
\* Actuation level distances and L<sub>0</sub> (overall unit length) are measured from inner surfaces of mounting plug or flange

\*\* Length Overall L<sub>0</sub> = L<sub>1</sub> + Dimension B.

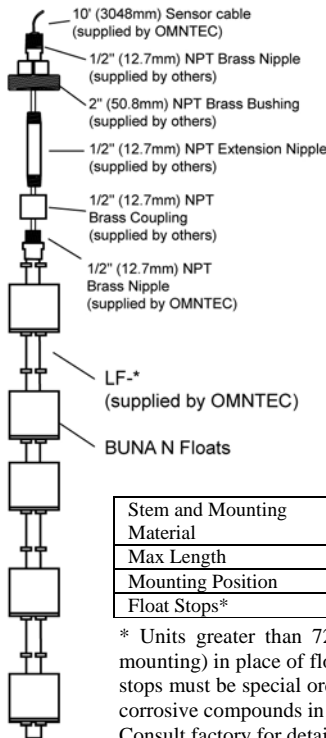
See mounting Types for Maximum Length values

**Notes:**

1. A, B and C dimensions based on a liquid specific gravity of 1.0
2. One float for two levels can be used only when 20VA switch is used
3. Actuation levels are calibrated on descending fluid level, with water as the calibrating fluid, unless otherwise specified
4. Tolerance on actuation levels is +/- 1/8" (3.2mm)



**Optional Alternative Mounting for 1/2" NPT**



**Wiring Color Code**

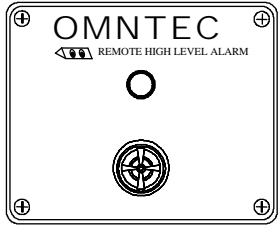
Wiring	Level 1	Level 2	Level 3	Level 4	Level 5
LF-1	black/red	-----	-----	-----	-----
LF-2	black/red	green/white	-----	-----	-----
LF-3	white/red	blue/green	black/orange	-----	-----
LF-4	black/red	green/white	blue/orange	yellow/brown	-----
LF-5	black/red	green/white	blue/orange	yellow/brown	purple/grey

	Type 1 1/2" (12.7mm) NPT	Type 2 1-1/4" (31.8mm) NPT	Type 3 2" (50.8mm) NPT	Type 4 3" (76.2mm), 150# Dia. Flange
Stem and Mounting Material	Brass or 316 Stainless Steel			Flange: Carbon Steel or 316 S.S. Stem: 316 S.S.
Max Length	36" (91.4 cm)	60" (152.4 cm)	140" (355.6 cm)	
Mounting Position	Vertical 30 Inclination			
Float Stops*	Brass Units: Beryllium Copper Grip Rings, Stainless Steel Units: S.S. ARMCO PH-15-7MO Grip Rings			

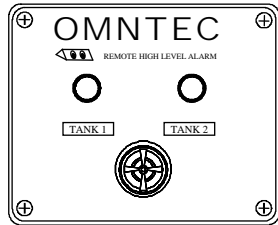
\* Units greater than 72" (1828mm) overall length are supplied with collars with setscrews (made of same material as stem and mounting) in place of float-stop rings. Collars are optional on units less than 72" (1828mm) overall length. Units requiring 316 SS float stops must be special ordered with 316 SS collars instead of grip rings. In some instances the use of concentration of chlorine and other corrosive compounds in the media require the use of collar type float stops. Consult factory for details.

# RA-Series Remote High Level Alarm

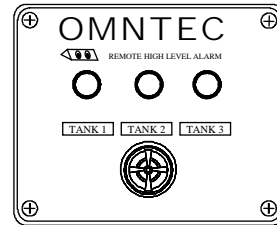
RA-1



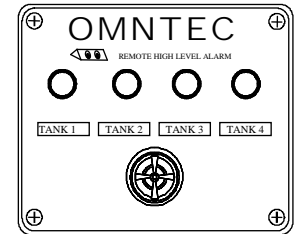
RA-2



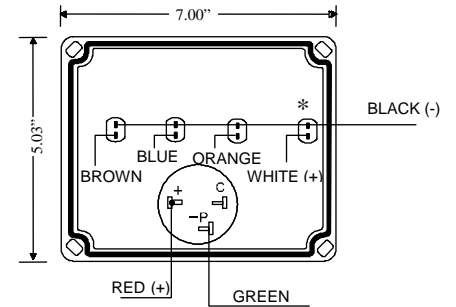
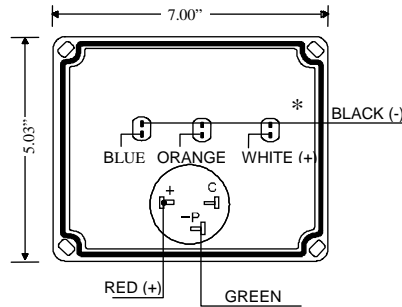
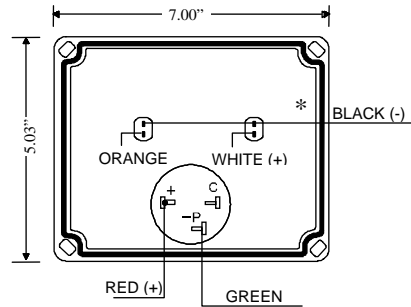
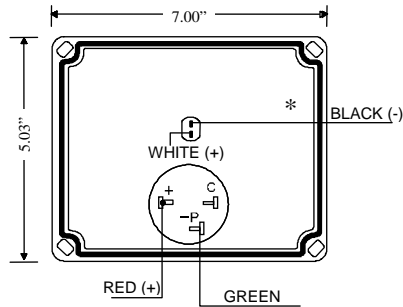
RA-3



RA-4



## Internal Wiring Color Code

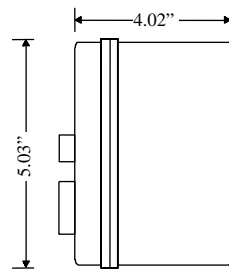


\* **WARNING LABEL PLACED HERE:** Warning: Low voltage inputs only

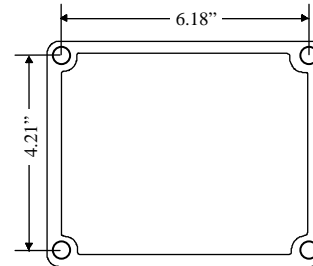
### SPECIFICATIONS

Audible Alarm	95 dB pulsing horn
Red Light	Liquid-high-level alarm
Response Time	Immediate
Power Input	12VDC @200mA maximum from controller
Wire	22 AWG minimum
Weight	1 lb.

### SIDE VIEW



### MOUNTING DIMENSIONS



Note: It is recommended that knockouts be placed in the bottom of the enclosure



# WARRANTY

---

The seller OMNTEC Mfg., Inc. warrants to buyer defects when properly installed, and maintained by user. The sellers sole obligation is to repair or replace parts found to be defective, or non-conforming for one year and only after evaluation by factory. The liability of the seller shall not exceed the price paid for the components found to be defective. The above warranty is exclusive of all other warrantees whether implied or expressed. Seller assumes no obligation for special or, indirect damages incurred by user.

All standard tank gauging systems are free of defects when properly installed and maintained by user. Warranty on tank gauging systems will only be effective after proper documentation has been submitted by the buyer to OMNTEC Mfg., Inc. The sellers sole obligation is to repair or replace parts found to be defective, or non-conforming for one year and only after evaluation by factory. The liability of the seller shall not exceed the price paid for the components found to be defective. The above warranty is exclusive of all other warrantees whether implied or expressed. Seller assumes no obligation for special or indirect damages incurred by user.

All standard replacement parts, "add-ons", or spare parts are free of defects when properly installed and maintained by user. The sellers sole obligation is to repair or replace parts found to be defective or non-conforming for 90 days and only after evaluation by factory. The liability of the seller shall not exceed the price paid for the components found to be defective. The above warranty is exclusive of all other warrantees whether implied or expressed. Seller assumes no obligation for special or indirect damages incurred by user.

Equipment not covered by this warranty includes, but is not limited to: custom equipment, pressure transducers, and control systems.