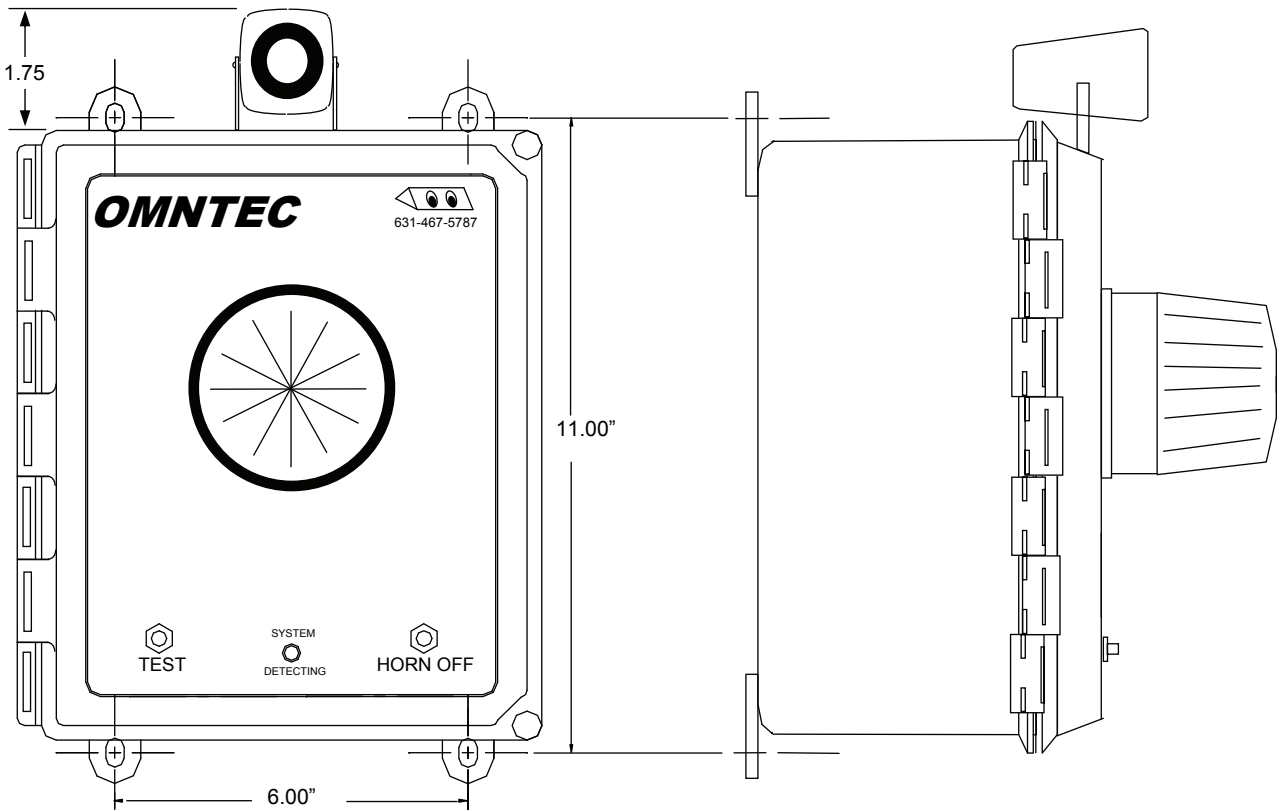


SPECIFICATIONS**POWER INPUT**

85-125 VAC, 47-440 Hz
16 Watts maximum

POWER TO CONTACTS

2 VDC @ 13 ma

WEIGHT DIMENSIONS

6 LBS. (W) 9" x (H) 10.5"

SENSOR CABLE

Shielded 22 AWG UL-E118830 CM
Maximum length 2000 feet

ENCLOSURE OPERATING TEMPERATURE

NEMA 4X -40° to 140° F

AUDIO/VISUAL REMOTE

AUDIBLE ALARM - 110 dB multi-frequency horn with 30 second timeout

RED HIGH INTENSITY STROBE LIGHT -Indicates open contact

TEST BUTTON- When pressed will test audible alarm and lights

HORN OFF BUTTON - Silences the audible alarm when pressed

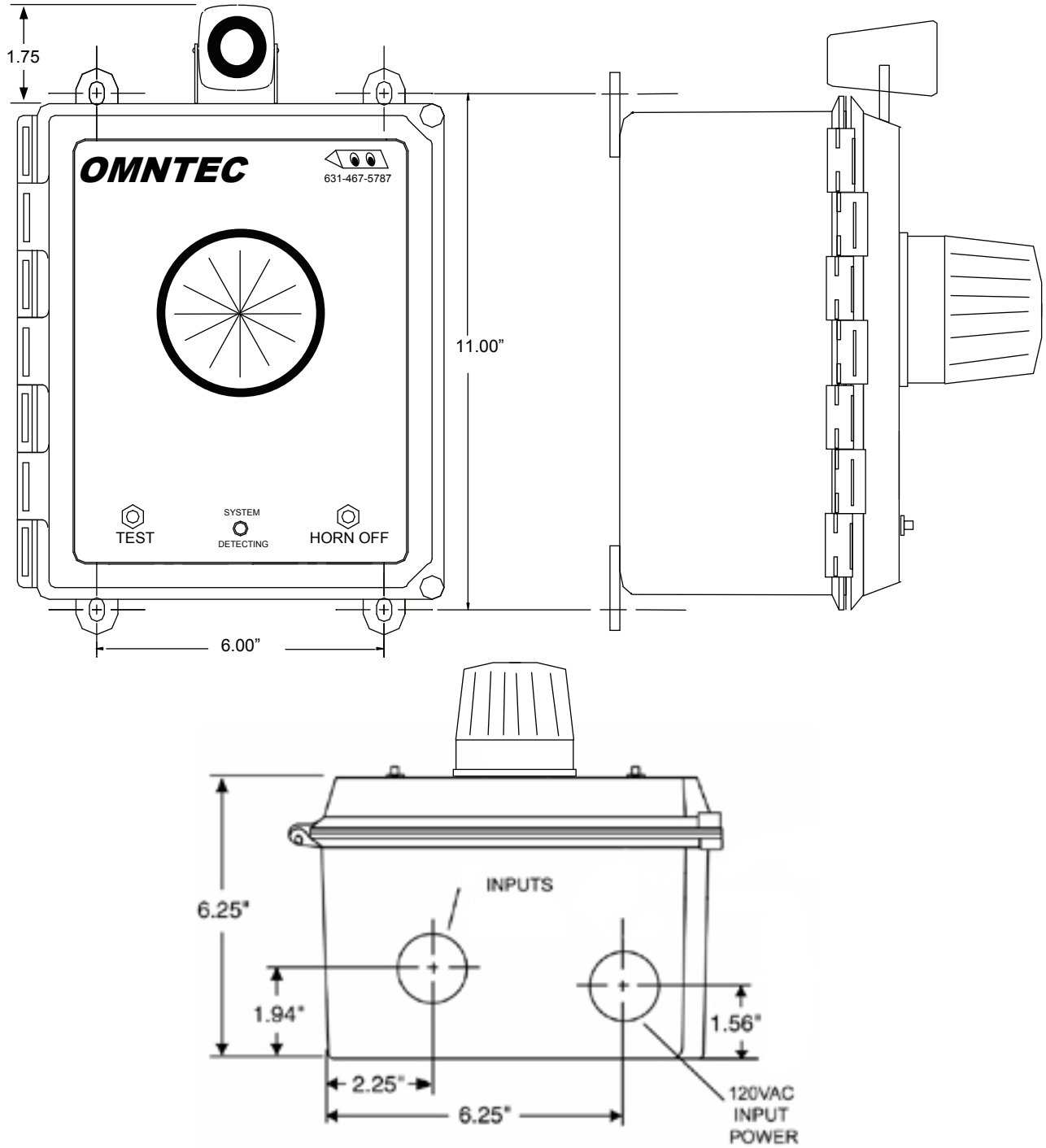
DRY CONTACT INPUT

Normally open

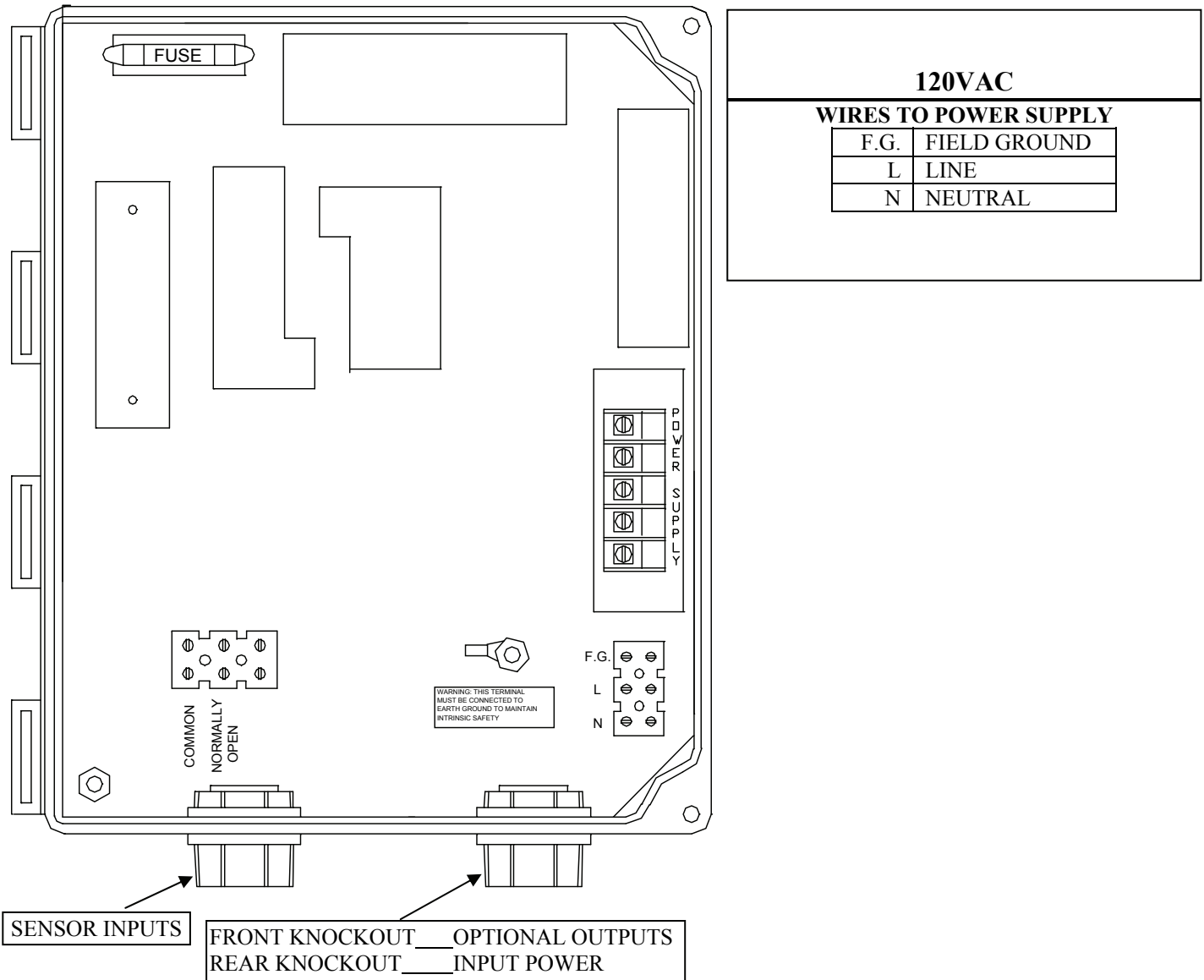
LABELS

Provided with controller

Dimensions for mounting and knockouts



RA-LU1-NYS REMOTE CONNECTION DIAGRAM



NOTE: To maintain proper shielding, BLACK sensor wires and SHIELD DRAINS should **not** be connected together at sensors.

Warranty

The seller OMNTEC Mfg., Inc. warrants to buyer defects when properly installed, and maintained by user. The sellers sole obligation is to repair or replace parts found to be defective, or non-conforming for one year and only after evaluation by factory. The liability of the seller shall not exceed the price paid for the components found to be defective. The above warranty is exclusive of all other warrantees whether implied or expressed. Seller assumes no obligation for special or, indirect damages incurred by user.

All standard tank gauging systems are free of defects when properly installed and maintained by user. Warranty on tank gauging systems will only be effective after proper documentation has been submitted by the buyer to OMNTEC Mfg., Inc. The sellers sole obligation is to repair or replace parts found to be defective, or non-conforming for one year and only after evaluation by factory. The liability of the seller shall not exceed the price paid for the components found to be defective. The above warranty is exclusive of all other warrantees whether implied or expressed. Seller assumes no obligation for special or indirect damages incurred by user.

All standard replacement parts, "add-ons", or spare parts are free of defects when properly installed and maintained by user. The sellers sole obligation is to repair or replace parts found to be defective or non-conforming for 90 days and only after evaluation by factory. The liability of the seller shall not exceed the price paid for the components found to be defective. The above warranty is exclusive of all other warrantees whether implied or expressed. Seller assumes no obligation for special or indirect damages incurred by user.

Equipment not covered by this warranty includes, but is not limited to: MTG-F flexible magnetostrictive probes, custom equipment, pressure transducers, and control systems.