

SPECIFICATIONS

POWER INPUT

12VDC from IB-12V
120 Volt AC

OPERATING TEMPERATURE

0 to 50 deg. C

WEIGHT

10 Pounds

ENCLOSURE

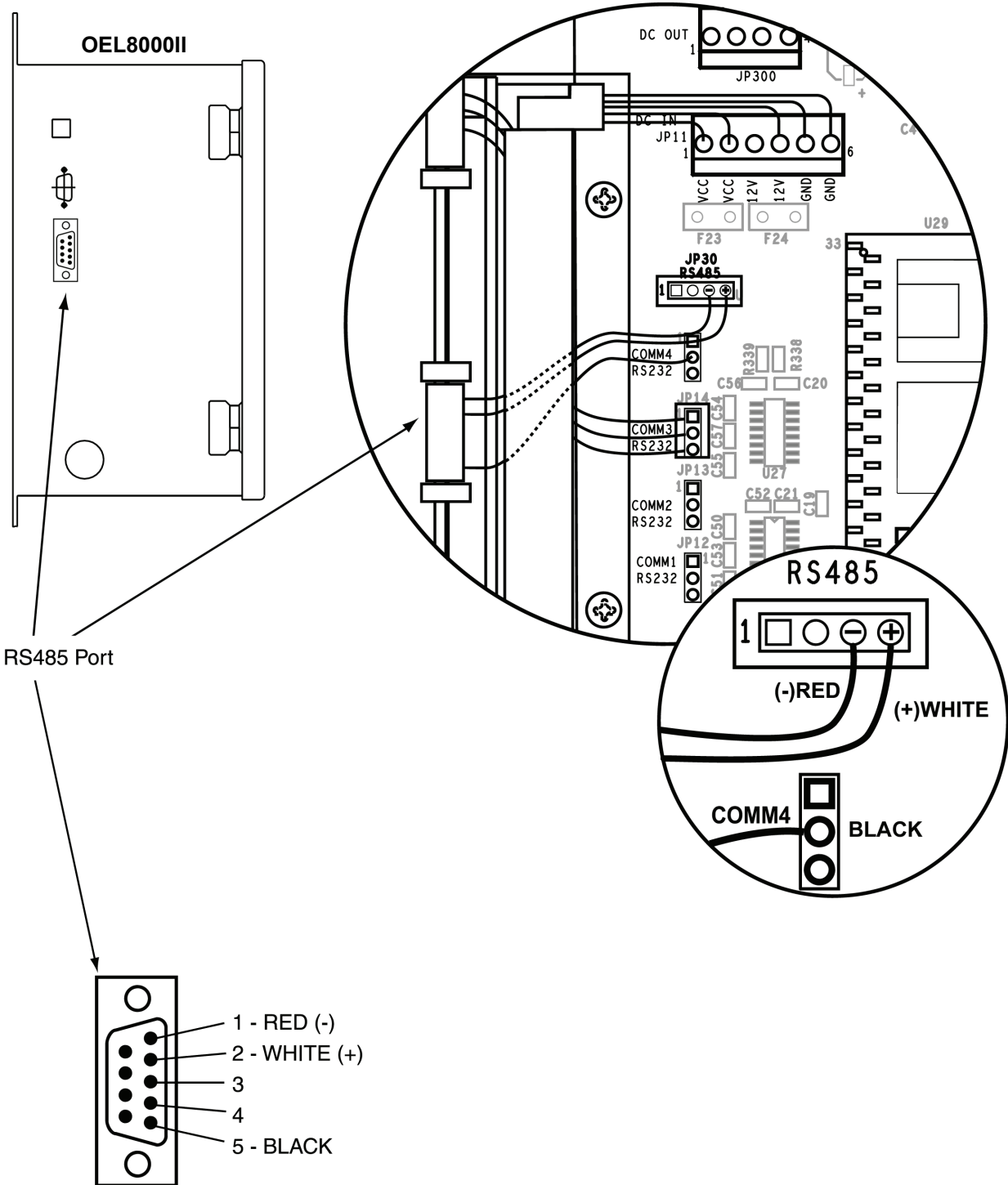
TYPE 4X

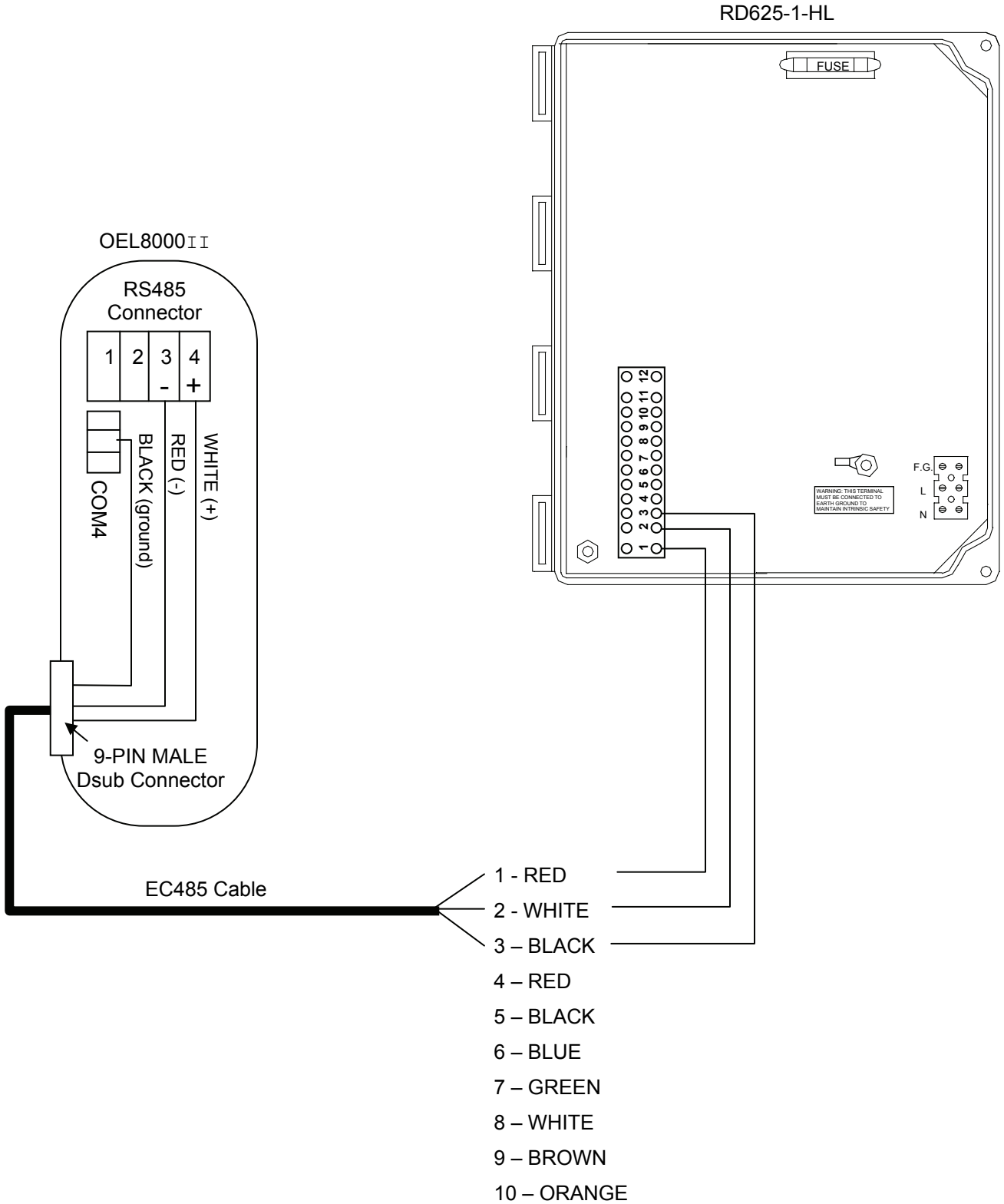
DISPLAY

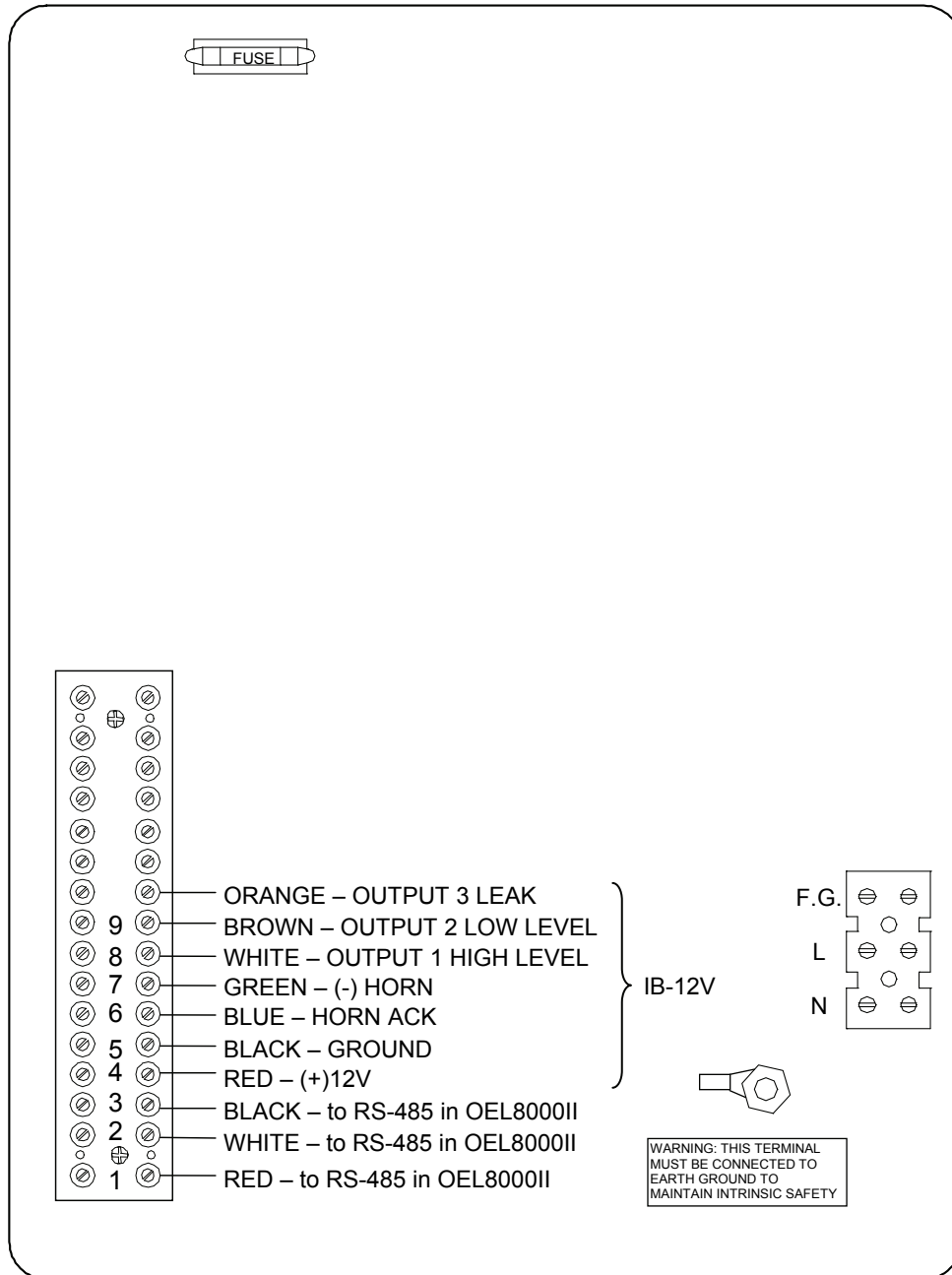
LED Digital Display for Tank Volume
RED LIGHT – Indicates High Level & Leak
AMBER – Indicates Low Level

INPUT

RS-232 from OEL8000II
IB-12V for High Level, Low Level, and Leak lights







IB-12V Low Voltage Interface Board Installation

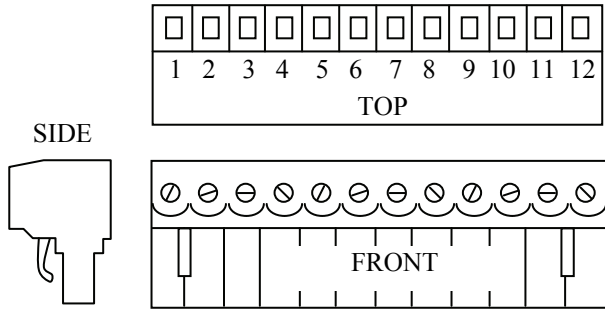
12 Volt D.C. Low Voltage Interface Board

OEL8000II system must have software version 5.3 or greater

1. Attach wires to the top of the removable connector.

IB-12V in an energized unalarmed state, when used with RAS series remotes:

1	+12V	Red	
2	Ground	Black	
3	Horn Ack	Blue	
4	- Horn	Green	
5	Output 1	White	High Level
6	Output 2	Brown	Low Level
7	Output 3	Orange	Leak



*Event-see page 3

2. Insert IB-12V interface board into designated card slot in OEL8000II.

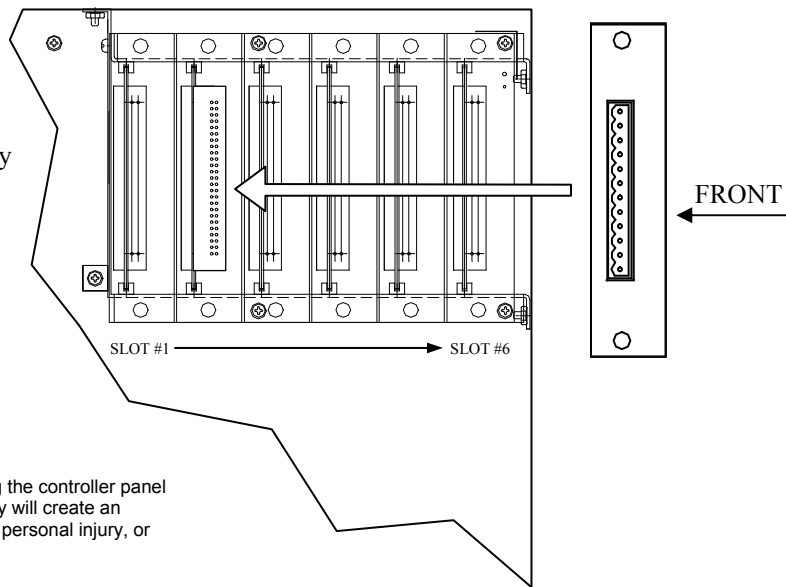
NOTE: Once a slot is configured for a specific board it can not be changed to accept a different board. *Consult factory to re-configure a board slot.

To program 12 volt events refer to the OEL8000II IB-12V programming sheet low voltage board.

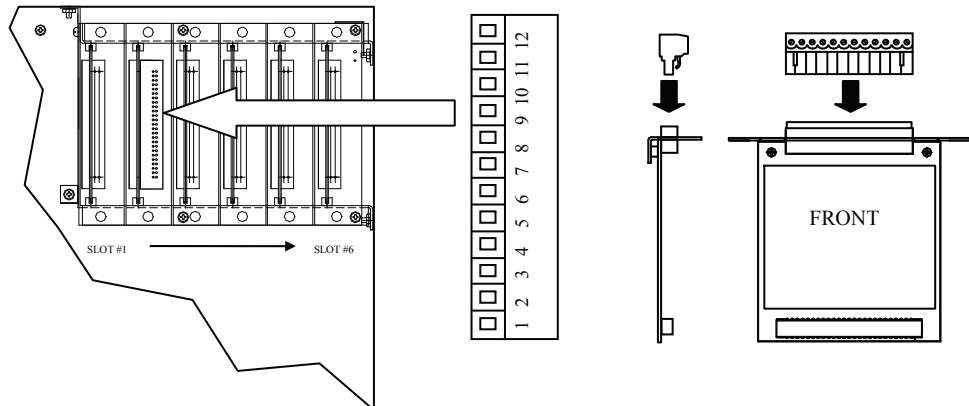


WARNING

Remove all power to the controller and to all wires entering the controller panel before doing any installation or servicing. Failure to comply will create an electric shock or explosion hazard that can result in death, personal injury, or property damage.



3. Attach removable connector to IB-12V (The IB-12V should already be inserted into the card slot in the OEL8000II).

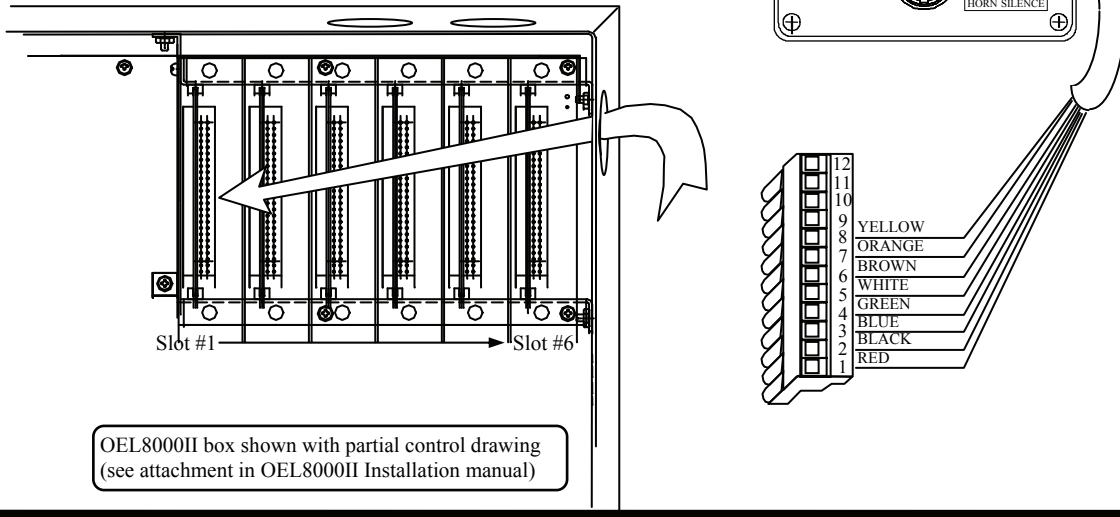


OEL8000II Remote Annunciator Installation

When used with IB-12V low voltage board, OEL8000II software version must be 5.3 or greater

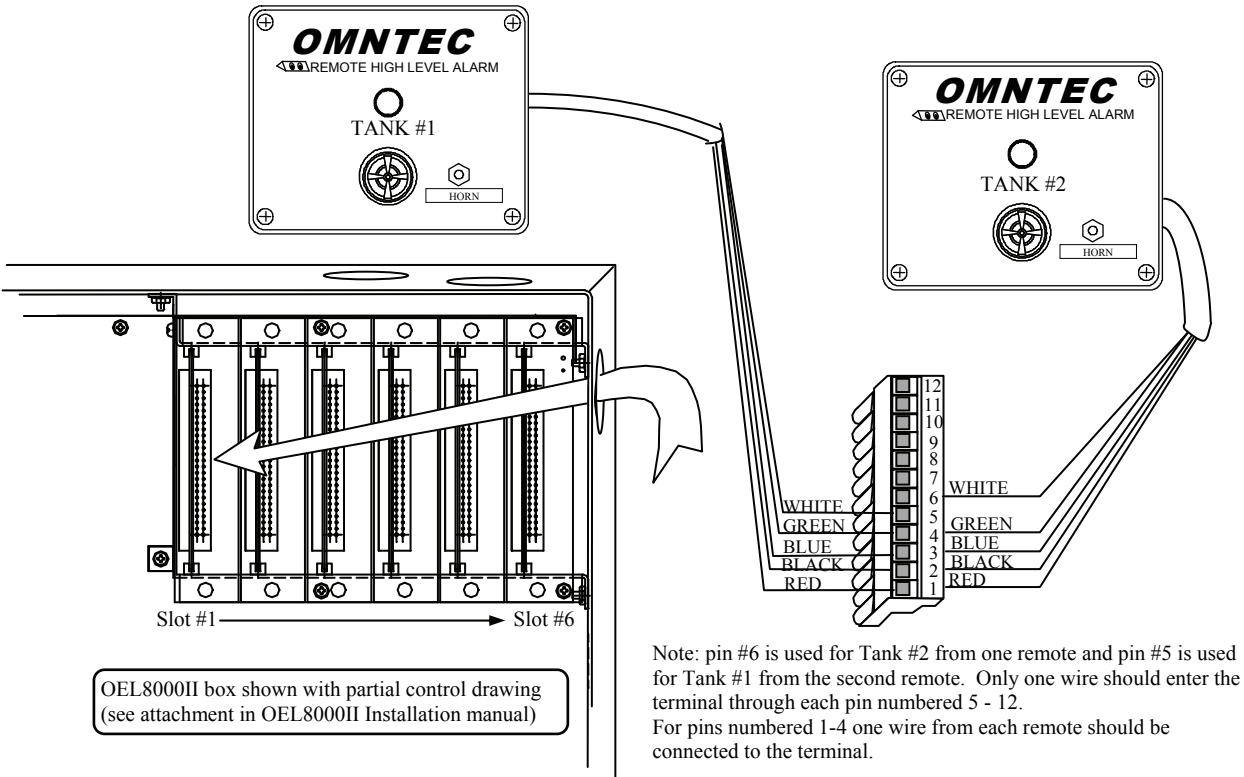
SINGLE REMOTE CONNECTION

THE CONNECTION SHOWN IS AN RAS-4.
FOR ALL OTHER REMOTES, WIRE AS BELOW
DISREGARDING UNEQUIPPED WIRE COLORS.



MULTI-REMOTE CONNECTION

SHOWN BELOW IS A TYPICAL CONNECTION OF TWO RAS-1 REMOTES



Program Instructions

Power OFF

Insert IB-12V board (as shown)

Power ON

Enter "SETUP" via. Front keypad

Enter security code (default code is 000000)

Select "MORE" 3 times

The screen options will read: COMM | INT BRD | | MORE

Select "INT BRD"

Screen options: SLCT BRD | PROGBRD| PRINT | BACK

Pressing "SLCT BRD" will scroll through a list of interface boards. Press "PROG BRD" to program the selected "IB-12V" (Low Voltage)

The screen will display which slot the board is in and identify the board. Options on this screen are: SLCT OUT | PROGOUT | CLR OUT | BACK

Pressing "SLCT OUT" will toggle through outputs 1 – 8 CLR OUT will clear programmed output for the selected board.

Select "PROG OUT"

Screen options: TANK | SENSOR | | BACK

- TANK

TANK#1 | SLCT COND | ENBL/DIS | BACK

1st. - TANK#1 – select tank

2nd. - SLCT COND – select condition to set as output activator source

3rd. - ENBL/DIS – enable or disable selected condition

4th. - BACK or MENU to return to Main Menu and accept parameter changes

- SENSOR

1st. - Options for Sensors will change according to sensor type. The sample listed below is for a product distinguishing sensor.

NEXT SNSR | ENBL/DIS | W/F| BACK

2nd. - NEXT SNSR – Select sensor

3rd. - W/F – Select Water or Fuel

4th. - ENBL/DIS – Enable or disable selected option

5th. - Select BACK or MENU to return to Main Menu and accept parameter changes

***Event** represents the following **probe** conditions:

- Hi Hi Product
- Hi Product
- Lo Lo Product
- Lo Product
- Hi Water
- VLD – S.B.

***Event** represents the following **sensor** conditions:

- Sump (water or product)
- Dispenser
- Doublewall
- Hi Level Product
- Lo Level Product
- Temperature
- Vault (water or product)
- No Reply