

SPECIFICATIONS

POWER INPUT

12VDC from IB-12V
120 Volt AC

OPERATING TEMPERATURE

0 to 50 deg. C

WEIGHT

10 Pounds

ENCLOSURE

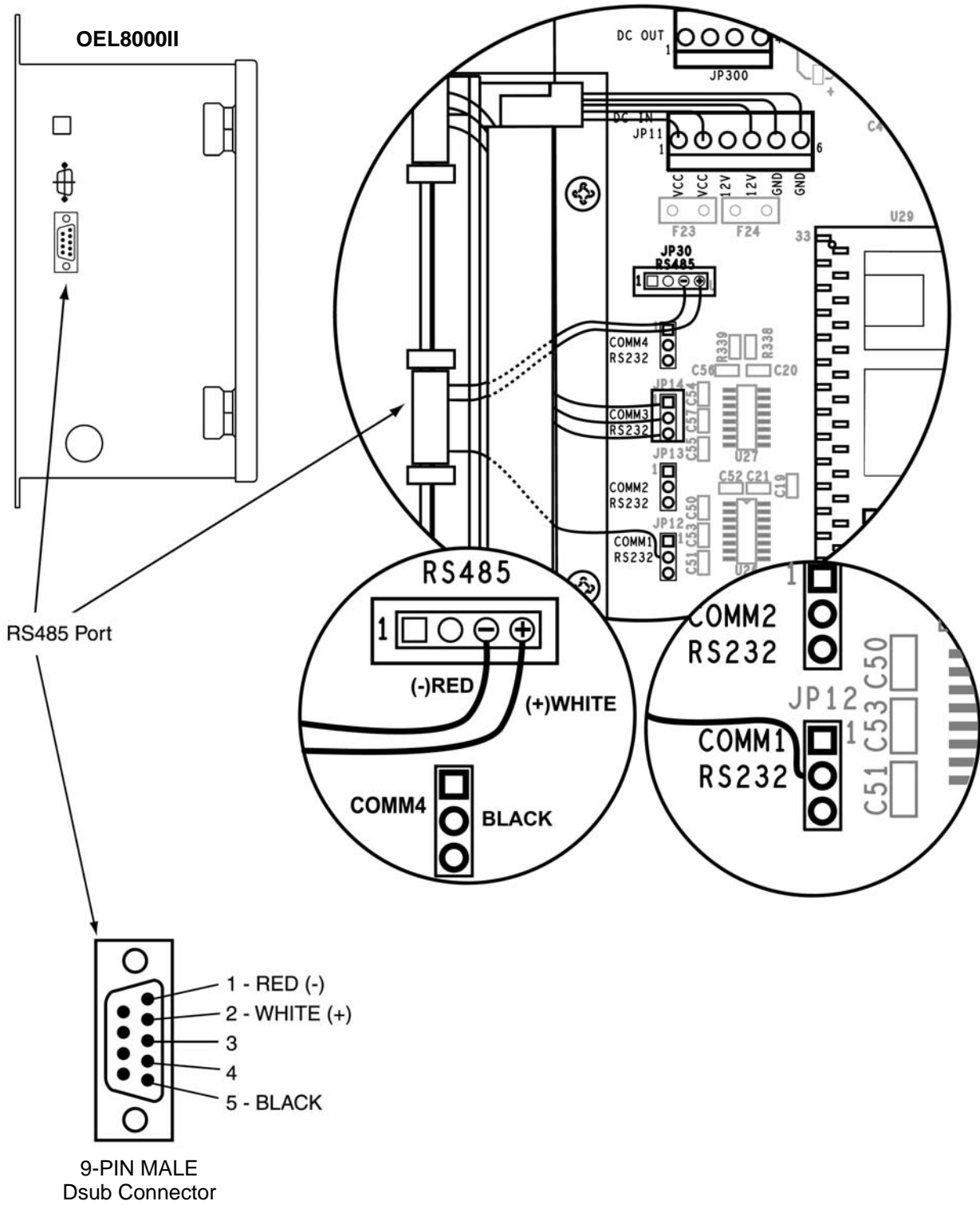
TYPE 4X

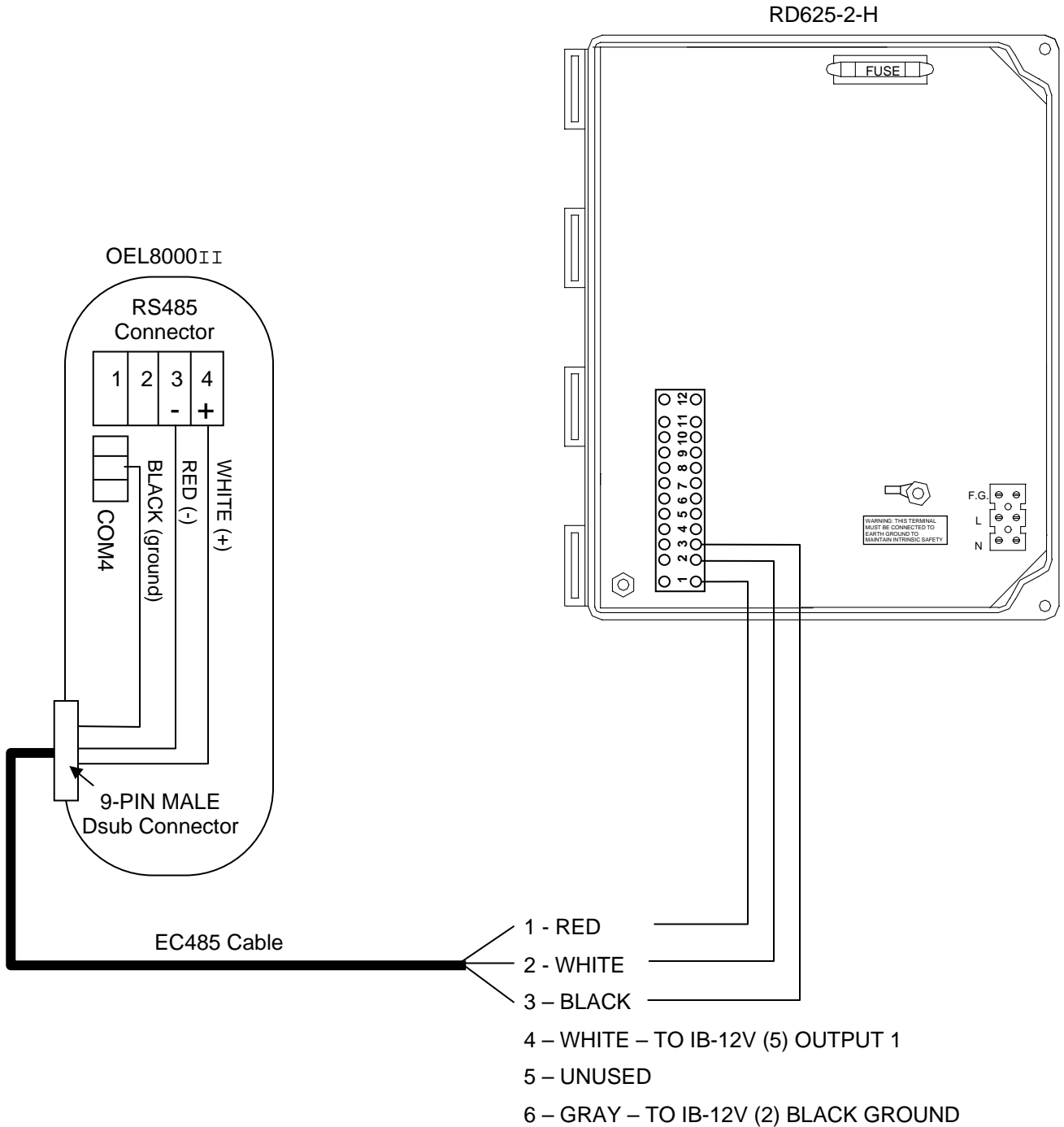
DISPLAY

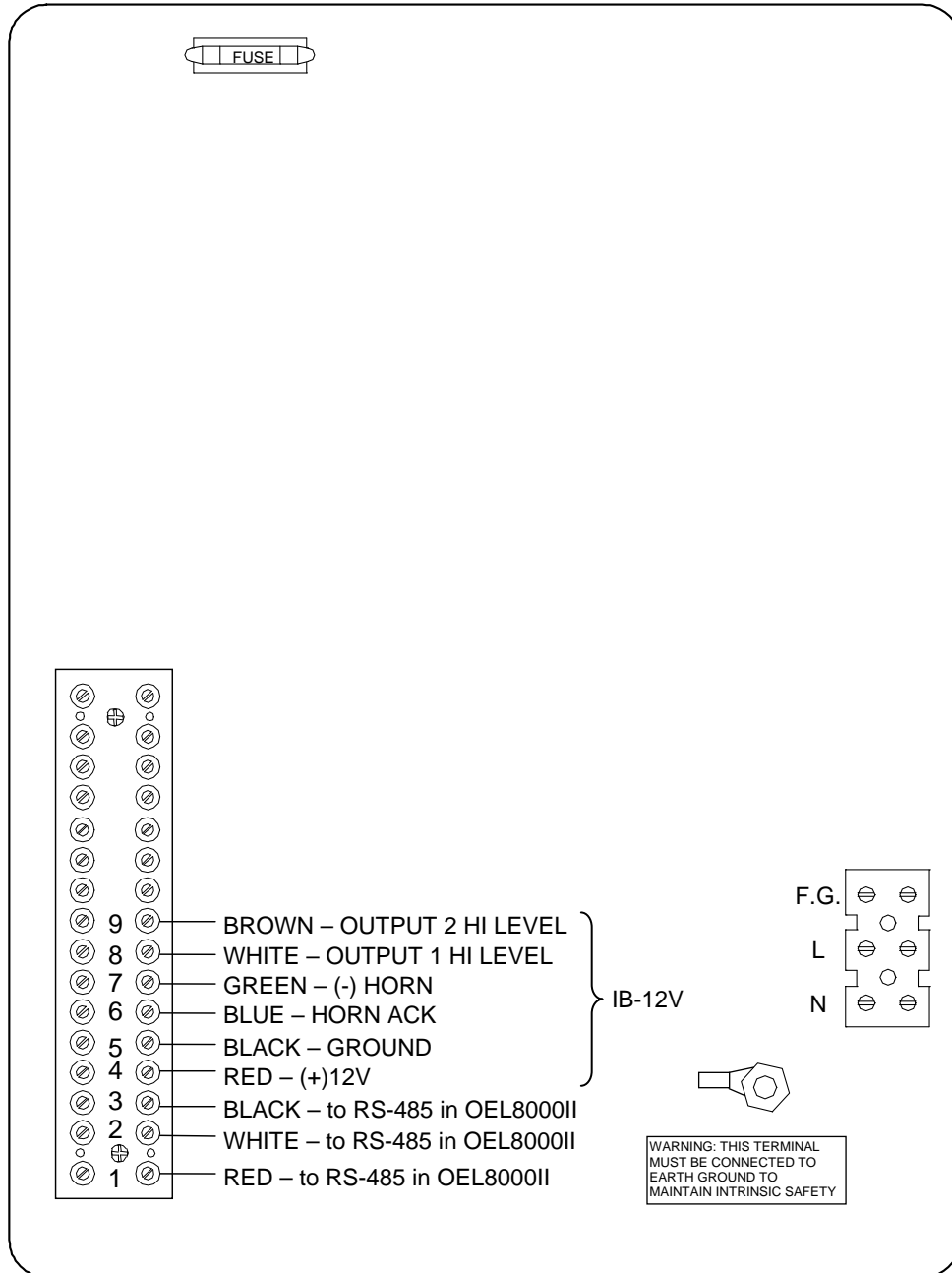
LED Digital Display for Tank Volume
RED LIGHT – indicates Hi level

INPUT

RS-485 from OEL8000II
IB-12V for Hi level lights







IB-12V Low Voltage Interface Board Installation

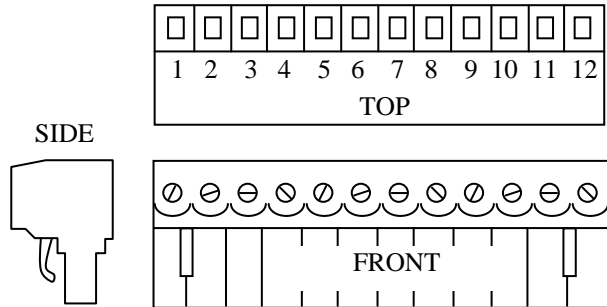
12 Volt D.C. Low Voltage Interface Board

OEL8000II system must have software version 5.3 or greater

1. Attach wires to the top of the removable connector.

IB-12V in an energized unalarmed state, when used with RAS series remotes:

1	+12V	Red		
2	Ground	Black		
3	Horn Ack	Blue		
4	- Horn	Green		
5	Output 1	White	*Event 1	Alarm 1
6	Output 2	Brown	*Event 2	Alarm 2



*Event-see page 3

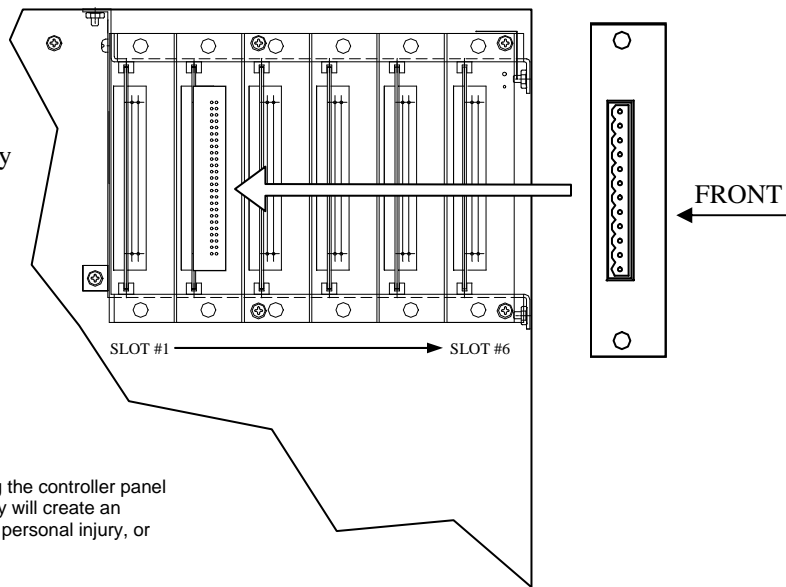
2. Insert IB-12V interface board into designated card slot in OEL8000II.

NOTE: Once a slot is configured for a specific board it can not be changed to accept a different board. *Consult factory to re-configure a board slot.

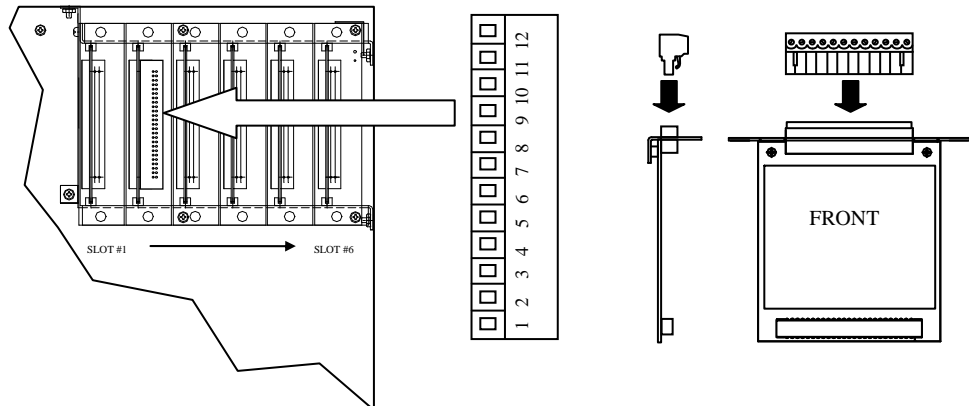
To program 12 volt events refer to the OEL8000II IB-12V programming sheet low voltage board.



Remove all power to the controller and to all wires entering the controller panel before doing any installation or servicing. Failure to comply will create an electric shock or explosion hazard that can result in death, personal injury, or property damage.



3. Attach removable connector to IB-12V (The IB-12V should already be inserted into the card slot in the OEL8000II).

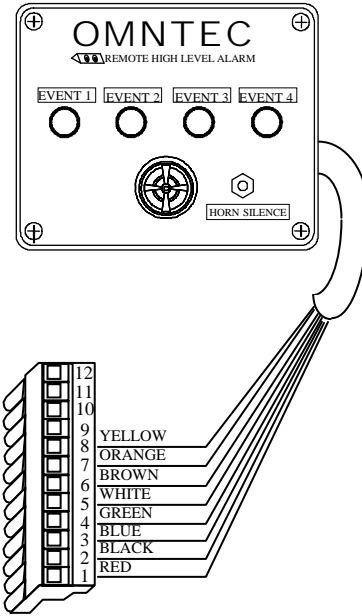
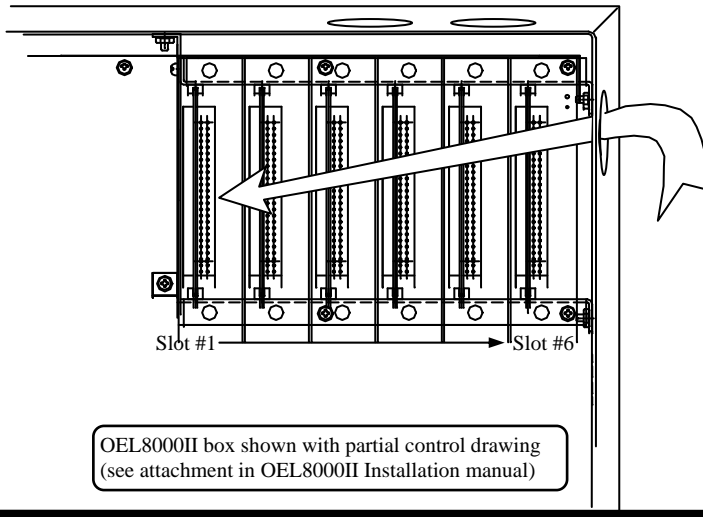


OEL8000II Remote Annunciator Installation

When used with IB-12V low voltage board, OEL8000II software version must be 5.3 or greater

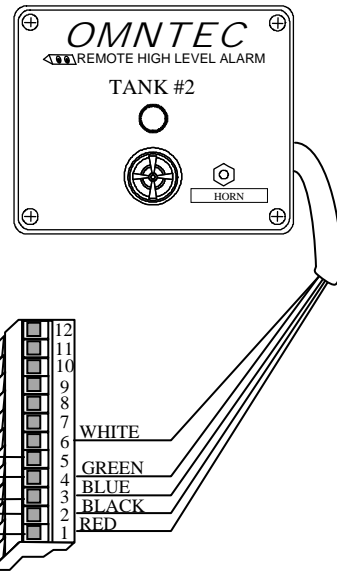
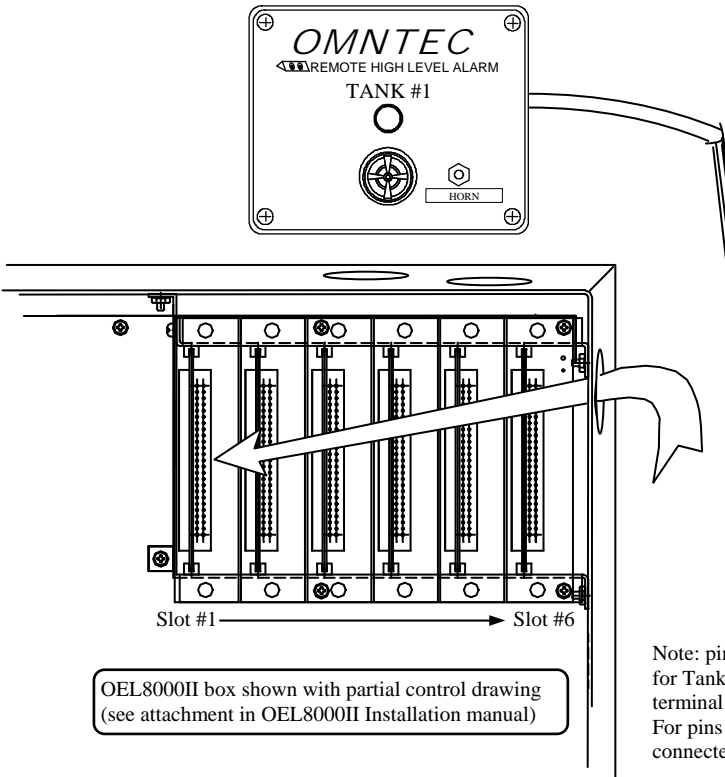
SINGLE REMOTE CONNECTION

THE CONNECTION SHOWN IS AN RAS-4.
FOR ALL OTHER REMOTES, WIRE AS BELOW
DISREGARDING UNEQUIPPED WIRE COLORS.



MULTI-REMOTE CONNECTION

SHOWN BELOW IS A TYPICAL CONNECTION OF TWO RAS-1 REMOTES



Note: pin #6 is used for Tank #2 from one remote and pin #5 is used for Tank #1 from the second remote. Only one wire should enter the terminal through each pin numbered 5 - 12.

For pins numbered 1-4 one wire from each remote should be connected to the terminal.

