

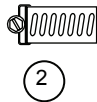
MTG-* Stick Probe with one SSF-4 and Swage Lock Pre-Assembly

MTG-* STICK PROBE PARTS

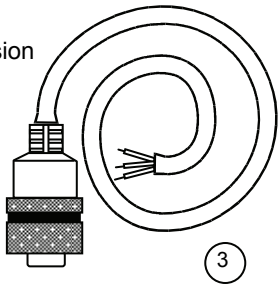
Part: 3/4" Swage Lock
QTY: 1



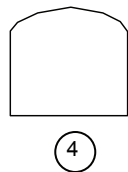
Part: Hose Clamp
QTY: 2



Part: 6' Extension Cable
QTY: 1



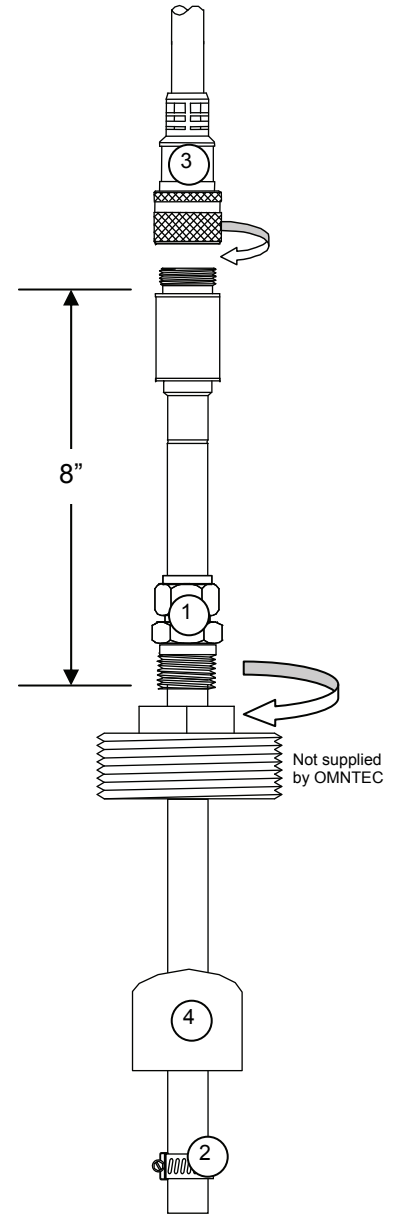
Part: SSF-4
3.75" 316 Stainless
Steel Product Float
QTY: 1



Installation Instructions

1. Install swage lock as shown on right
2. Install 4" x 3/4" reducer bushing (supplied by others)
3. Install the SSF-4 product float
4. Install hose clamp
5. Attach yellow extension cable to head of probe
6. See Installation of MTG-* Probe instruction sheet (document #200118)

For **SSF-4**
3.75" 316 stainless steel float and
swage lock



IMPORTANT: Installed probe must be lifted one inch from bottom when using swage lock.