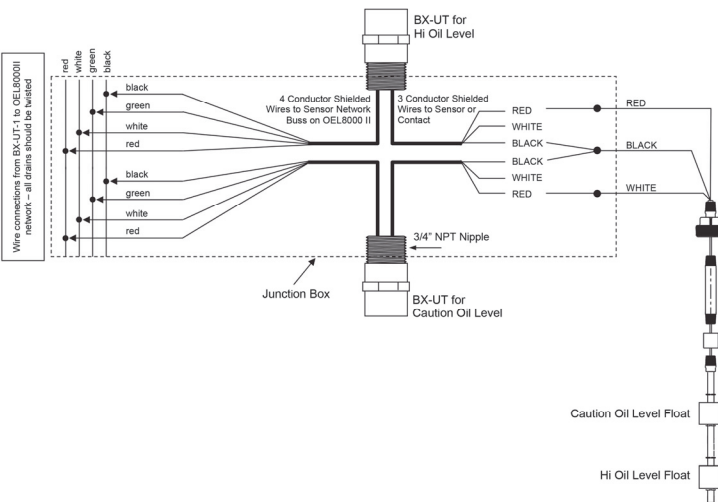


# BX-OWI-2 SENSOR DIMENSION

## APPROVAL SHEET

|                        |  |
|------------------------|--|
| <b>CUSTOMER</b>        |  |
| <b>PO#</b>             |  |
| <b>EL#</b>             |  |
| <b>SHIP DATE</b>       |  |
| <b>QUANTITY</b>        |  |
| <b>PRODUCT</b>         |  |
| <b>OMNTEC USE ONLY</b> |  |
| <b>RES</b>             |  |
| <b>CABLE LENGTH</b>    |  |
| <b>CAN</b>             |  |



a= Caution Level in inches\*

b= High Oil Level in inches\*

- Be sure to take into account any riser pipes or manway risers.
- Dimensions should be calculated from the top of the tank or riser down to the required alarm level(s)

**Name:** \_\_\_\_\_

**Company:** \_\_\_\_\_

**Signature:** \_\_\_\_\_

**Date:** \_\_\_\_\_

*Signature is required to release product to production.  
Custom parts are non cancellable and non returnable.*