

## RS-485 Installation and Setup

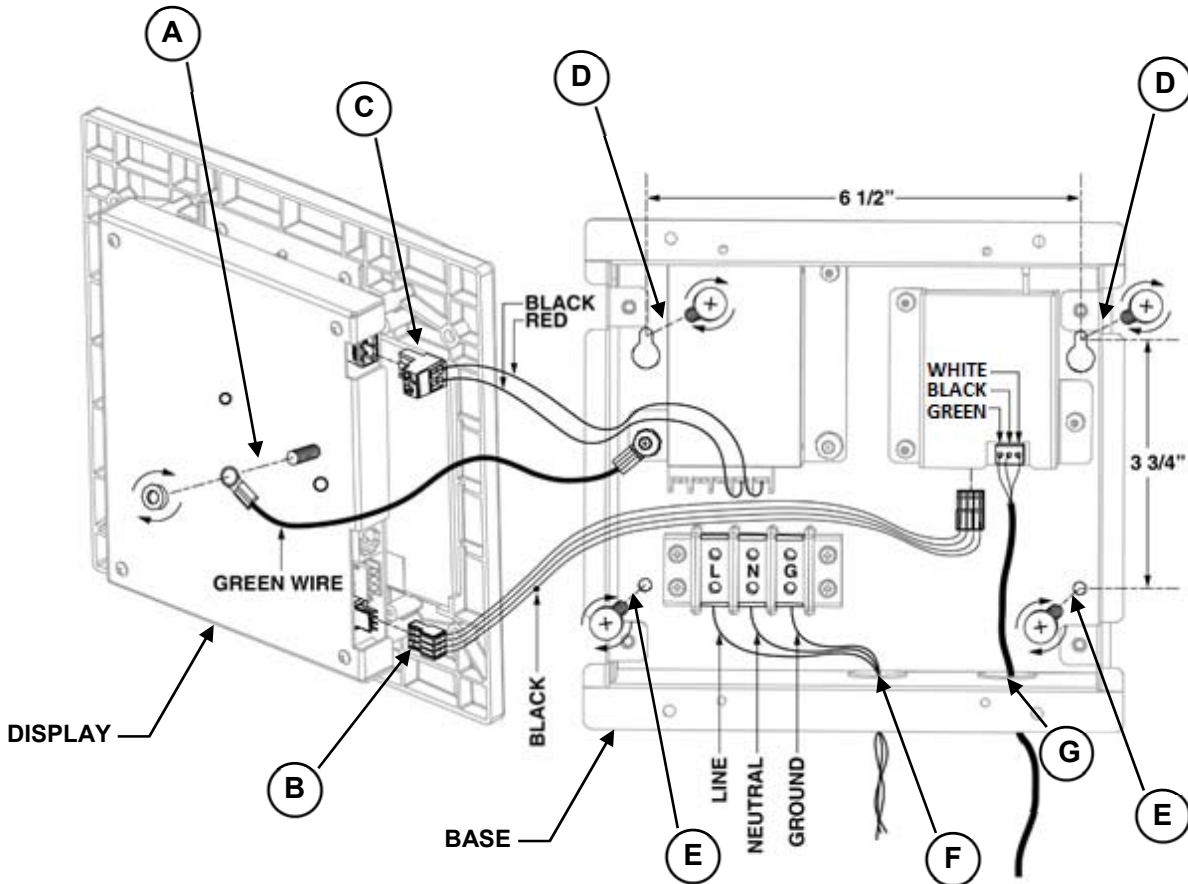


Figure 1.0

### **IMPORTANT:**

Read all instructions prior to starting installation process.

Do not apply power to the Mini-Me until the unit has been mounted and all wiring connections have been made.

All work must be performed by authorized installers in accordance with Local and National Electric Codes.

### **SUPPLIED HARDWARE**

- (1) OMNTEC 2.3mm Flathead Screwdriver
  - (4) Wall Anchors
  - (1) Allen Wrench
1. Use the supplied Allen Key to loosen the four Allen screws (H) that mount the display to the base (See Figure 2.0).
  2. Place the display face down on a flat surface to keep it from being damaged.

3. Disconnect the green wire (A) by loosening and removing the #10-32 nut and lock washer from the display shield.
4. Unplug connectors (B) and (C) to separate the display from the base.
5. Measure base mounting dimensions and fasten supplied wall anchors. Install screws for top two mounting holes (D) leaving a minimum of ¼ inch of thread exposed.
6. Mount the base onto top two screws (D) then tighten and secure.
7. Fasten two bottom screws (E) in base mounting holes and secure.
8. Bring power wires (100-240 VAC) through left preformed knockout (F) and secure on the terminal block as shown.

9. Bring low voltage RS-485 cable (**EC-4 or 4 conductor 22 AWG twisted pair with shield**) through the right preformed knockout (**G**) and secure to terminal block (See Figure 1.0).
10. Secure green wire (**A**) with #10-32 nut and lock washer.
11. Connect data harness (**B**) making sure that the black wire is facing the bottom of display as shown.
12. Connect low voltage power supply harness (**C**) to the display.
13. Place display back onto the base and secure with the four Allen screws (**H**) (See Figure 2.0).

### CAUTION!

**\*\*DO NOT OVERTIGHTEN ALLEN SCREWS AND BE SURE NOT TO PINCH WIRES BETWEEN DISPLAY AND BASE.\*\***

14. Prepare the proper ATG connection for RS-485. The RS-485 connection is located on the Proteus MCU on a small red board (See Figure 3.0).
15. Pin 1 \_\_\_\_\_ BLACK  
Pin 2 \_\_\_\_\_ WHITE  
Pin 3 \_\_\_\_\_ GREEN  
Pin 4 \_\_\_\_\_ NO CONNECTION
16. Configure the RS-485 port in the system programming settings of the Proteus ATG. Select the COMM TYPE to be RD7CTS (**\*\*Must have ATG firmware version 6.0 or higher. Consult OMNTEC for help\*\***).
17. Power up the Mini-Me and view the programming guide to adjust system settings.

**\*\*When using a RS-485 connection, it is currently available for Proteus K & X only.\*\***

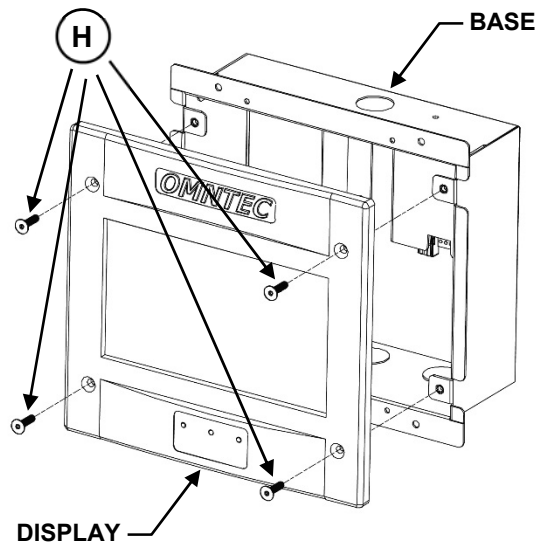


Figure 2.0

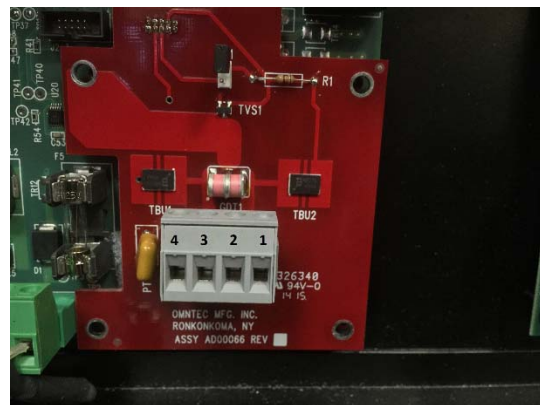


Figure 3.0

## RS-232 Installation and Setup

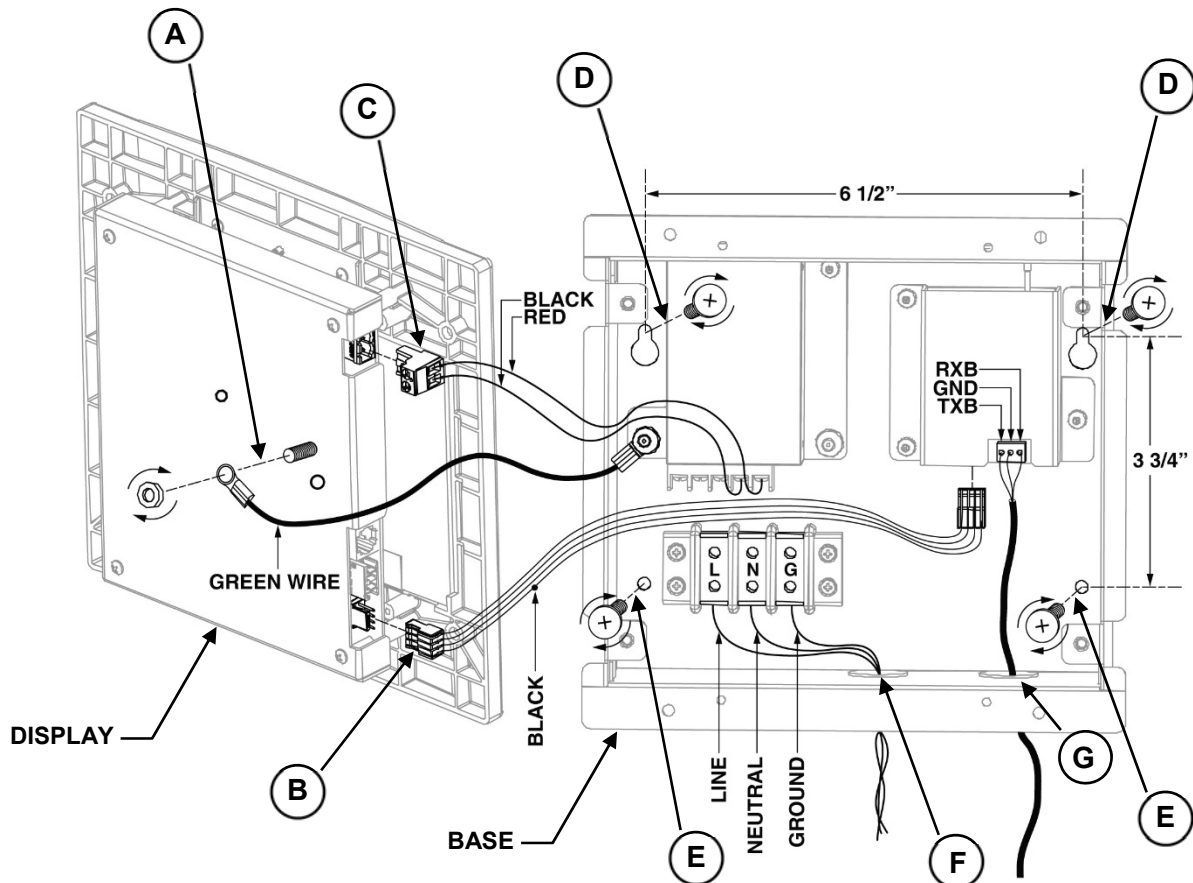


Figure 4.0

### **IMPORTANT:**

Read all instructions prior to starting installation process.

Do not apply power to the Mini-Me until the unit has been mounted and all wiring connections have been made.

All work must be performed by authorized installers in accordance with Local and National Electric Codes.

### **SUPPLIED HARDWARE**

- (1) OMNTEC 2.3mm Flathead Screwdriver
- (4) Wall Anchors
- (1) Allen Wrench

1. Use the supplied Allen Key to loosen the four Allen screws (H) that mount the display to the base (See Figure 2.0).
2. Place the display face down on a flat surface to keep it from being damaged.

3. Disconnect the green wire (A) by loosening and removing the #10-32 nut and lock washer from the display shield.
4. Unplug connectors (B) and (C) to separate the display from the base.
5. Measure base mounting dimensions and fasten supplied wall anchors. Install screws for top two mounting holes (D) leaving a minimum of ¼ inch of thread exposed.
6. Mount the base onto top two screws (D) then tighten and secure.
7. Fasten two bottom screws (E) in base mounting holes and secure.
8. Bring power wires (100-240 VAC) through left preformed knockout (F) and secure on the terminal block as shown.

9. Bring low voltage RS-232 cable (**Quabbin 7325 or 3 conductor 22 AWG with shield**) through right preformed knockout (**G**) and secure to the terminal block (See Figure 4.0).
10. Secure green wire (**A**) with #10-32 nut and lock washer.
11. Connect data harness (**B**) making sure that the black wire is facing the bottom of display as shown.
12. Connect low voltage power supply harness (**C**) to the display.
13. Place display back onto the base and secure with the four Allen screws (**H**) (See Figure 2.0).

### CAUTION!

**\*\*DO NOT OVERTIGHTEN ALLEN SCREWS AND BE SURE NOT TO PINCH WIRES BETWEEN DISPLAY AND BASE.\*\***

14. Prepare the proper ATG connection for RS-232. (See Figure 5.0)
15. Configure the RS-232 port from the main ATG through the programming settings.
16. Power up the Mini-Me and view the programming guide to adjust system settings.

**\*\*When using a RS-232 connection, the Mini-Me can be connected to any industry standard ATG.\*\***

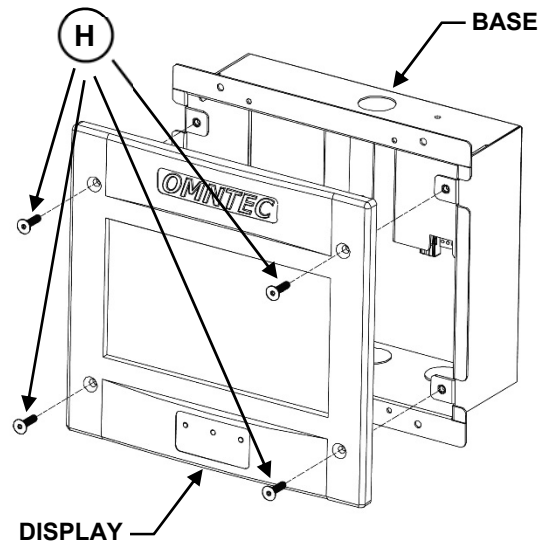


Figure 2.0

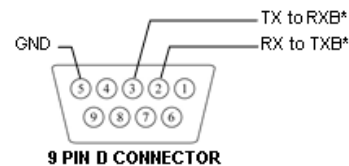
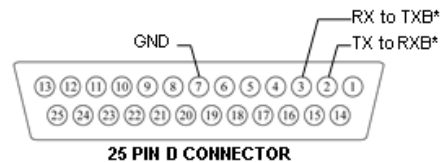


Figure 5.0