



OMNTEC
Advanced Tank Monitoring & Leak Detection

Flexible Top Mounted Wireless DataStik Probe for Tank Inventory Monitoring

Part Number: DS-1K-XXX-V
(single float)

Description

The DataStik probe takes field proven magnetostrictive technology and packages it in a revolutionary new way for greater reliability, easy installation, and mounting. The DS-1K-XXX-V (where "XXX" is the overall probe length in inches) is ideal for liquid level monitoring of product and interface level in a wide variety of liquid media in both above ground and below ground storage tanks, and is assembled to your specifications in measuring lengths up to 70 feet.

All probe electronics are integrated into a 0.625 inch OD PVDF sensing tube. This breakthrough in package design eliminates the bulky electronics enclosure at the top of the probe and offers you greater options for insertion and mounting in tanks and vessels. The DS-1K-XXX-V employs a flexible PVDF housing and provides cost-effective inventory monitoring for a wide variety of vessels and liquids.

The DS-1K-XXX-V's lower cost design provides more options, offers savings on installation and mounting and has the ultimate in "designed-in" reliability.

The DS-1K-XXX-V includes the patented DataCheck™ Transmitter, batteries, and mounting mast.

Features

- Patented wireless, battery-powered technology
- Rugged, Reliable Magnetostrictive Design with Electronics Integrated into 5/8" Sensing Tube
- High Resolution and Accuracy
- CSA approved Intrinsically Safe (Exia)
- Flexible PVDF
- Numerous Float Options for nearly any application
- No Calibration Required



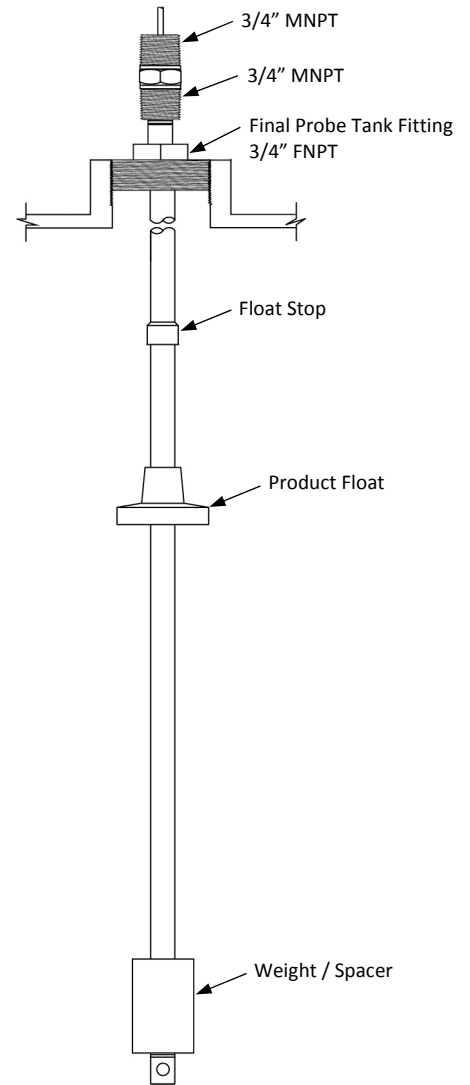
Flexible Top Mounted Wireless DataStik Probe

Part No. DS-1K-XXX-V

Specifications	
Power	Two D-cell lithium thionyl chloride batteries (1 for DataStik™ Probe, 1 for DataCheck™ Transmitter)
Measurement Length	Up to 70 ft.
Resolution	0.010"
Linearity	0.01%
Repeatability	Equal to resolution
Temperature Measurement	Up to five along the probe span
Temperature accuracy, Absolute	-10°C to +85°C ± 0.5°C -40°C to -11°C ± 2.0°C
Temperature Sensing Range	-40°F to +65°C
Operating Temperature Range	-40°F to + 71°C
Compatible Controller	OEL8000II-W / OEL8000IIIX-W
Probe Output to Transmitter	Serial data
Distance to Receiver	Up to 1 km, unlimited using DataCheck™ Repeaters
System Configuration	see DataStik™ Product Bulletin
Wireless Scheme	Full Supervised Simplex 902-928 MHz FHSS
Electrical Safety Approval	CSA US/C Exia intrinsically safe

Specifications subject to change without notice, verify with manufacturer.

These products are protected under US Patents 6,229,448 and 6,369,715.
Other patents pending.



Float Options



4" Buna Float

Part No. **BNF-1-4**
(product float only)



2" Stainless Steel

Part No. **SSF-1-2**
(product float only)



4" Stainless Steel Float

Part No. **SSF-1-4**
(product float only)

Weight Dimensions

W2 Series Weight			
Overall Length	Weight Part No.	Dimensions (2" diameter)	Weight or Spacer
47" - 144"	W2-144	5" (h)	Spacer
145" - 288"	W2-288	7" (h)	Weight
289" - 432"	W2-432	11" (h)	Weight
433" - 600"	W2-600	14" (h)	Weight
601" - 720"	W2-720	16" (h)	Weight
721" - 840"	W2-840	18" (h)	Weight



W2 Series Weight



OMNTEC

2420 Pond Road
Ronkonkoma, NY 11779

+1.631.981.2001

+1.631.981.2007

omntec@omntec.com

www.omntec.com