



**OMNTEC**  
Advanced Tank Monitoring & Leak Detection

# Rigid Stainless Steel Wireless DataStik Probe for Tank Inventory Monitoring

**Part Number: DS-NS-XXX**

## Description

The DataStik probe takes field-proven magnetostrictive technology and packages it in a revolutionary new way for greater reliability, easy installation, and mounting. The DS-NS-XXX (where N is the number of floats [1 or 2], and "XXX" is the overall probe length in inches) is ideal for liquid level monitoring of product and interface level in a wide variety of liquid media in both above ground and below ground storage tanks, and is assembled to your specifications in measuring lengths up to 24 ft.

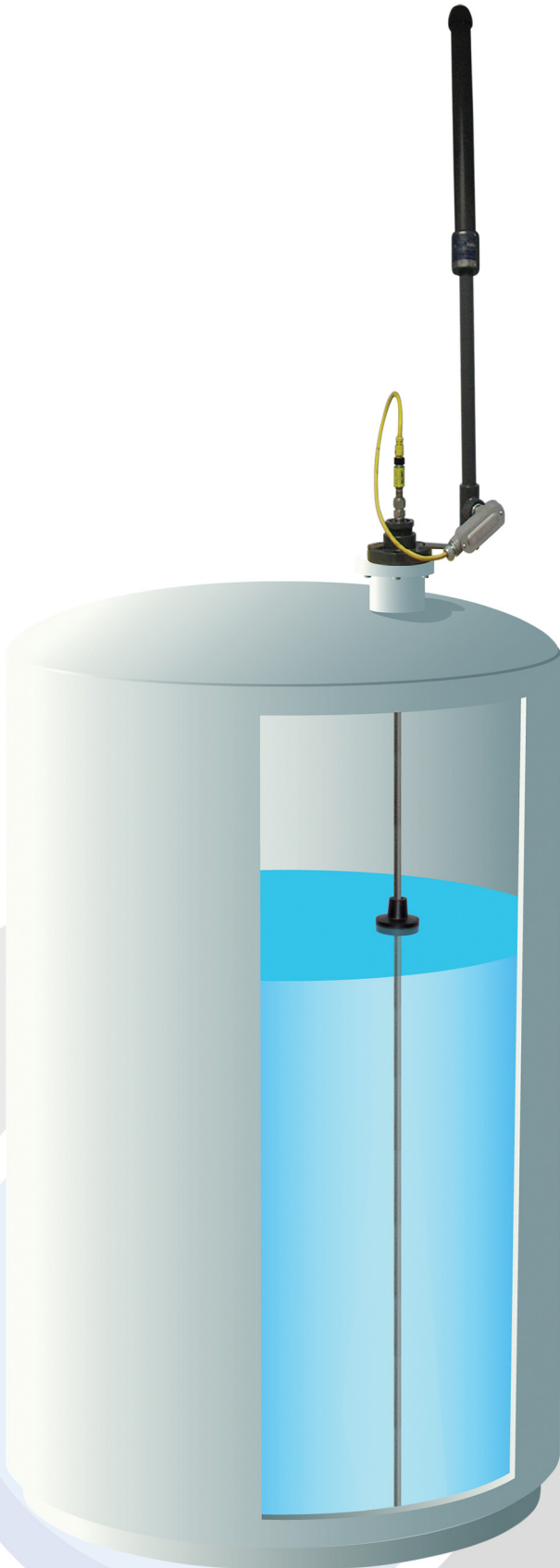
All probe electronics are integrated into a 0.625 inch OD 316-Stainless Steel sensing tube. This breakthrough in package design eliminates the bulky electronics enclosure at the top of the probe and offers you greater options for insertion and mounting in tanks and vessels. The DS-NS-XXX employs a rigid stainless steel housing and provides cost-effective inventory monitoring for a wide variety of vessels and liquids.

The DS-NS-XXX's lower cost design provides more options, offers savings on installation and mounting and has the ultimate in "designed-in" reliability.

The DS-NS-XXX includes the patented DataCheck™ Transmitter, batteries, and mounting mast.

## Features

- Patented wireless, battery-powered technology
- Rugged, Reliable Magnetostrictive Design with Electronics Integrated into 5/8" Sensing Tube
- High Resolution and Accuracy
- CSA approved Intrinsically Safe (Exia)
- Strong, rigid 316-SS housing
- Numerous Float Options for nearly any application
- No Calibration Required



# Rigid Stainless Steel Wireless DataStik Probe

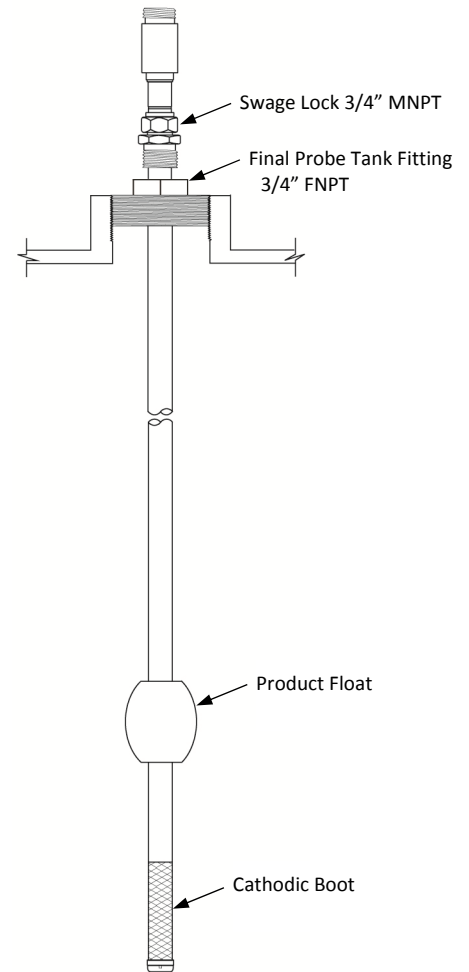
## Part No. DS-NS-XXX

Specifications	
Power	Two D-cell lithium thionyl chloride batteries (1 for DataStik™ Probe, 1 for DataCheck™ Transmitter)
Measurement Length	Up to 24 ft. (7.3M)
Resolution	0.010"
Linearity	0.01%
Repeatability	Equal to resolution
Temperature Measurement	Up to five along the probe span
Temperature accuracy, Absolute	-10°C to +85°C ± 0.5°C -40°C to -11°C ± 2.0°C
Temperature Sensing Range	-40°F to +65°C
Operating Temperature Range	-40°F to + 71°C
Compatible Controller	OEL8000II-W / OEL8000IIIX-W
Probe Output to Transmitter	Serial data
Distance to Receiver	Up to 1 km, unlimited using DataCheck™ Repeaters
System Configuration	see DataStik™ Product Bulletin
Wireless Scheme	Full Supervised Simplex 902-928 MHz FHSS
Electrical Safety Approval	CSA US/C Exia intrinsically safe

Specifications subject to change without notice, verify with manufacturer.

These products are protected under US Patents 6,229,448 and 6,369,715.

Other patents pending.



## Float Options



**4" Buna Float**

Part No. BNF-4

BNF-1-4 (product float only)



**2" Stainless Steel**

Part No. SSF-2

SSF-1-2 (product float only)



**4" Stainless Steel Float**

Part No. SSF-4

SSF-1-4 (product float only)



**OMNTEC**  
 2420 Pond Road  
 Ronkonkoma, NY 11779  
 +1.631.981.2001  
 +1.631.981.2007  
 omntec@omntec.com  
 www.omntec.com